

Die Components  
Normalien  
Componenti



JLR

**OMCR**<sup>®</sup>  
STANDARD DIE COMPONENTS




<b>TDSA03-A</b>	<b>TDSA03-B</b>	<b>TDSA03-D</b>	<b>TDSA03-E</b>	<b>TDSA04-E</b>
				
Visual locator punch Endkontrollstempel Punzone di visualizzazione	Coil guide roller Bandführung Guidanastro mobile	Stripper for blanking dies Abstreifer für Platinenschnitte Estrattore per stampi tranciasviluppo	Roller Rolle Rotella	Distance Plate Abstimmischiibe Distanziale
345	345	346	346	347
<b>TDSA05-B</b>	<b>TDSA05-C</b>	<b>TDSA05-I</b>	<b>TDSA05-N</b>	<b>TDSA06-A</b>
				
Support Unterstützung Supporto	Support Unterstützung Supporto	Elastomer stripper Abstreifer Estrattore per punzoni	Retainer Haltestück Ritegno per matrice	Locating cone Kegeldistanz Cono di centraggio
347	348	349	350	350
<b>TDSA06-B</b>	<b>TDSA06-C</b>	<b>TDSA07-A</b>	<b>TDSA17-C</b>	<b>TDSA07-D</b>
				
Flange lifter Abstreifer Sflangiatore	Flange lifter Abstreifer Sflangiatore	Positive return wear plate Platte Piastra di reazione	Balance block Distanzstück Distanziale	Cam buffer Anschlag Arresto
351	352	352	353	353
<b>TDSA07-E</b>	<b>TDSA07-F</b>	<b>TDSA07-G</b>	<b>TDSA07-H</b>	<b>TDSA07-I</b>
				
Buffer support Dämpferhalterung Supporto ammortizzatore	Coupling plate Befestigungsplatte Staffa di reazione	Coupling nut Kupplungsmutter Aggancio staffa	"V" driver VDI 3357 Prismenführung VDI 3357 Guida a "V" VDI 3357	"V" driver VDI 3357 Prismenführung VDI 3357 Guida a "V" VDI 3357
354	354	355	355	356

<b>TDSA07-J</b>	<b>TDSA07-J</b>	<b>TDSA07-K</b>	<b>TDSA12-A</b>	<b>TDSA12-B</b>
				
Positive return Zwangrückholer Gancio	"V" driver with positive return Prismenführung mit zwangsrückholer Guida a "V" con gancio di ritorno	"V" driver with positive return Prismenführung mit zwangsrückholer Guida a "V" con gancio di ritorno	Spacing bar Abstellbolzen Distanziale	Spacing bar Abstellbolzen Distanziale
356	357	358	359	360
<b>TDSA12-B</b>	<b>TDSA13-A</b>	<b>TDSA13-A</b>	<b>TDSA13-B</b>	<b>TDSA13-C</b>
				
Spacing bar Abstellbolzen Distanziale	Wear plate VDI 3357 Gleitplatte VDI 3357 Piastra guida VDI 3357	Wear plate VDI 3357 Gleitplatte VDI 3357 Piastra guida VDI 3357	Guide post NAAMS Führungssäule NAAMS Colonna guida NAAMS	Guide post NAAMS Führungssäule NAAMS Colonna guida NAAMS
361	362	363	364	365
<b>TDSA13-C</b>	<b>TDSA13-D</b>	<b>TDSA13-D</b>	<b>TDSA13-E</b>	<b>TDSA13-F</b>
				
Guide post NAAMS Führungssäule NAAMS Colonna guida NAAMS	Guide post Führungssäule Colonna guida	Guide post Führungssäule Colonna guida	Guide post Führungssäule Colonna guida	Guide post Führungssäule Colonna guida
366	367	367	368	368
<b>TDSA13-F</b>	<b>TDSA13-G</b>	<b>TDSA13-H</b>	<b>TDSA13-I</b>	<b>TDSA13-J</b>
				
Guide post Führungssäule Colonna guida	Guide post Führungssäule Colonna guida	Spacer plate toothed Distanzplatte gezahnt Tassello di compensazione	Stop Block Abstandsblock Distanziale	Stop Block Anschlag Blocchetto di arresto
369	369	370	370	370

<b>TDSA13-J</b>	<b>TDSA13-K</b>	<b>TDSA13-L</b>	<b>TDSA13-L</b>	<b>TDSA14-D</b>
				
Shim Abstimmsscheibe Spessore	Toe clamp Haltestück Ritegno per boccola	Guide bush NAAMS Führungsbuchse NAAMS Boccola autolubrificante NAAMS	Guide bush NAAMS Führungsbuchse NAAMS Boccola autolubrificante NAAMS	Pad retainer pin Steckbolzen Perno di arresto
371	372	372	373	373
<b>TDSA14-E</b>	<b>TDSA14-F</b>	<b>TDSA14-G</b>	<b>TDSA14-G</b>	<b>TDSA14-G</b>
				
Buffer Stossdämpfer Ammortizzatore	Special retainer pin plate Spezial-Haltestiffplatte Piastra speciale per perno di arresto	Retainer bolt Zugbolzensatz Gruppo tirante	Retainer bolt Zugbolzensatz Gruppo tirante	Anti-rebound pad retainer Halteelement mit Dämpfung Gruppo tirante antirimbalo
374	374	375	376	377
<b>TDSA14-H</b>	<b>TDSA14-I</b>	<b>TDSA14-J</b>	<b>TDSA14-K</b>	<b>TDSA14-L</b>
				
Retainer bolt Zugbolzensatz Gruppo tirante	Retainer bolt Zugbolzensatz Gruppo tirante	Retainer bolt Zugbolzensatz Gruppo tirante	Elastomer spring Elastomerfeder Molla in elastomero	Pad retainer pin Steckbolzen Perno di arresto
378	379	380	380	381
<b>TDSA14-M</b>	<b>TDSA14-N</b>	<b>TDSA14-N</b>	<b>TDSA14-N</b>	<b>TDSA15-D</b>
				
Elastomer cap Elastomerdruckstück Puntalino in elastomero	Retainer bolt Zugbolzensatz Gruppo tirante	Retainer bolt Zugbolzensatz Gruppo tirante	Retainer bolt Zugbolzensatz Gruppo tirante	Locating Pin Zentrierbolzen Perno di centraggio
381	382	383	384	385

<b>TDSA16-A</b>  Gage hardened Einweiser gehärtet Riferimento indurito 386	<b>TDSA17-A</b>  Air pin Druckbolzen unter Candela 387	<b>TDSA17-A</b>  Air pin Druckbolzen unter Candela 387	<b>TDSA17-B</b>  Air pin Unterluftbolzen Candela 388	<b>TDSA17-C</b>  Air pin Druckbolzen Candela 388
<b>TDSA17-G</b>  Clamp Haltestück Staffa 389	<b>TDSA17-H</b>  Pressure plate Druckplatte Piastra di reazione 389	<b>TDSA17-H</b>  Pressure plate Druckplatte Piastra di reazione 390	<b>TDSA20-B</b>  Visual locator punch Endkontrollstempel Punzone di visualizzazione 391	<b>TDSA20-D</b>  Trademark stamp Buchstabenstempel Punzone marchio 391
<b>TDSA20-D</b>  Trademark stamp Buchstabenstempel Punzone marchio 391	<b>TDSA20-D</b>  Trademark stamp Buchstabenstempel Punzone marchio 392	<b>TDSA20-E</b>  Stamps Buchstabenstempel Punzone di marcatura 392	<b>TDSA20-G</b>  Retainer for stamps Halteplatte Portatimbri 392	<b>TDSA20-H</b>  Stamps Buchstabenstempel Punzone marchio 393
<b>TDSA21-A</b>  Lifting pin Tragbolzen Perno di sollevamento 394	<b>TDSA21-B</b>  Bush for lifting pin Buchse für Tragbolzen Boccola per perno di sollevamento 395	<b>TDSA21-D</b>  Threaded Steel Insert Gewindeeinsatz für Guss Inserto filettato per fusione 395	<b>TDSA30-C</b>  Standard key Passfeder Chiavetta 396	<b>TDSA35-A</b>  Spring plunger Federne druckstücke Espulsore a molla 396

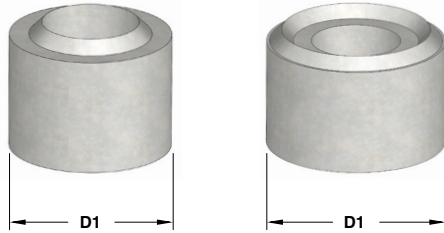
TDSB13-C	TDSB13-C	TDSB13-E
		
<p>Wear plate VDI 3357 Gleitplatte VDI 3357 Piastra guida VDI 3357</p>	<p>Wear plate VDI 3357 Gleitplatte VDI 3357 Piastra guida VDI 3357</p>	<p>Stop block Abstandsblock Distanziale</p>
<p>397</p>	<p>398</p>	<p>399</p>

**VISUAL LOCATOR PUNCH - ENDKONTROLLSTEMPEL - PUNZONE DI VISUALIZZAZIONE**

**Notes**

**Material:** X155CrVMo121  
**HRC:** 58+60

**STOCK**



**FORM A25**

**FORM A30**

ORDER EXAMPLE	JLR CODE
	TDSA03-A30
JLR CODE	D1
TDSA03-A25	25
TDSA03-A30	30

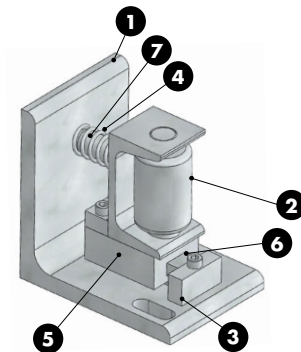
Standard JLR

**COIL GUIDE ROLLER - BANDFÜHRUNG - GUIDANASTRO MOBILE**

**Notes**

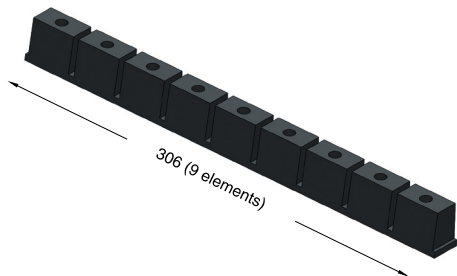
**2** WDX3-70-2202-A  
**1 3 4** **Material:** Steel  
**5 6 7**

**...** **STOCK**



ORDER EXAMPLE	JLR CODE
	TDSA03-B
JLR CODE	
TDSA03-B	

**STRIPPER FOR BLANKING DIES**  
**ABSTREIFER FÜR PLATINENSCHNITTE**  
**ESTRATTORE PER STAMPI TRANCIASVILUPPO**



### Notes

**Material:** Elastomer 70SH

STOCK



JLR CODE

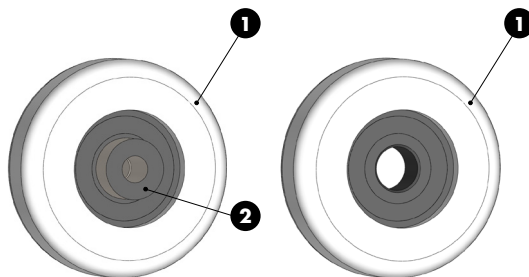
TDSA03-D

JLR CODE

TDSA03-D

# TDSA03-E

**ROLLER - ROLLE - ROTELLA**



**FORM A**

**FORM B**

### Notes

- 1** **Material:** Polyurethane 96 Shore
- 2** Steel



STOCK



JLR CODE

TDSA03-E1

JLR CODE

FORM

TDSA03-E1

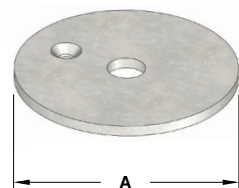
A

TDSA03-E2

B



## DISTANCE PLATE - ABSTIMMSCHEIBE - DISTANZIALE



### Notes

**Material:** St37

STOCK

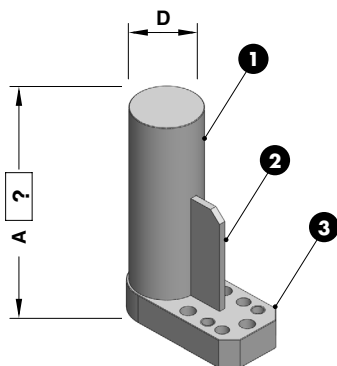


JLR CODE	TDSA04-E100
----------	-------------

JLR CODE	A
TDSA04-E075	73
TDSA04-E100	98

# TDSA05-B

## SUPPORT - UNTERSTÜTZUNG - SUPPORTO



### Notes

**1 2 3 Material:** C15



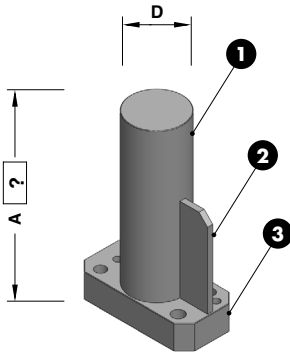
STOCK



JLR CODE	A=200
TDSA05-B70-	200

JLR CODE	D
TDSA05-B60-	60
TDSA05-B70-	70
TDSA05-B75-	75

Standard JLR

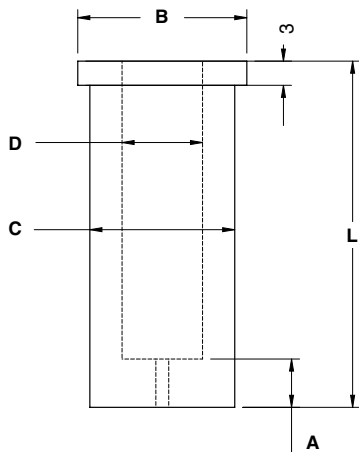


**Notes**  
**1 2 3** Material: C15

... **STOCK**

	JLR CODE	A=200
	TDSA05-C70-	200
JLR CODE	D	
TDSA05-C60-	60	
TDSA05-C70-	70	
TDSA05-C75-	75	

## ELASTOMER STRIPPER - ABSTREIFER - ESTRATTORE PER PUNZIONI



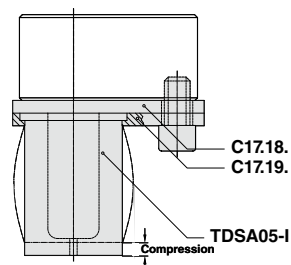
STOCK



### Notes

**Material:** Elastomer 95SH A

### Application example



\* values for the stripping force are dependent on a number of parameters (e.g. lubricant, temperature etc.) and may vary from those given here.  
 \*\* max spring travel should not exceed 15% of the length

ORDER EXAMPLE	JLR CODE
	TDSA05-120-43

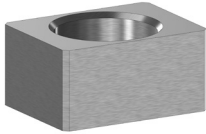
JLR CODE	D	L	A	B	C
TDSA05-110-43	10	43	6	21	18
TDSA05-110-63	10	63	6	21	18
TDSA05-113-43	13	43	6	26	23
TDSA05-113-63	13	63	6	26	23
TDSA05-116-43	16	43	6	33	30
TDSA05-116-63	16	63	6	33	30
TDSA05-120-43	20	43	7	36	33
TDSA05-120-63	20	63	7	36	33
TDSA05-125-43	25	43	7	43	40
TDSA05-125-63	25	63	7	43	40
TDSA05-132-43	32	43	7	54	50
TDSA05-132-63	32	63	7	54	50
TDSA05-140-43	40	43	7	64	60
TDSA05-140-63	40	63	7	64	60

STROKE**	3mm	6mm	9mm	3mm	6mm	9mm
LENGHT	43	43	43	63	63	63

D	Stripping forces (N)*					
10	1060	1820	2420	720	1450	1860
13	1700	2850	3820	1170	2320	2910
16	2514	4022	5229	1693	2709	3521
20	2900	4900	6490	2000	3950	5000
25	4440	7520	9680	3050	6050	7680
32	6840	11390	14660	4700	9310	11640
40	10100	20190	30290	6890	13780	20678

Standard JLR

**RETAINER - HALTESTÜCK - RITEGNO PER MATRICE**



**Notes**

**Material:** C15

**STOCK**



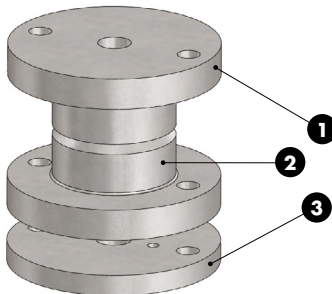
JLR CODE

TDSA05-N

JLR CODE

TDSA05-N

**LOCATING CONE - KEGELDISTANZ - CONO DI CENTRAGGIO**



**Notes**

**1 2 Material:** 1.6MnCr5  
**HRC:** 58÷60

**3 Material:** CK45

**STOCK**



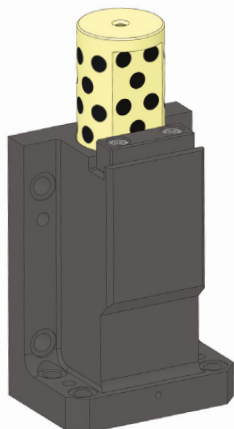
JLR CODE

TDSA06-A

JLR CODE

TDSA06-A

## FLANGE LIFTER - ABSTREIFER - SFLANGIATORE



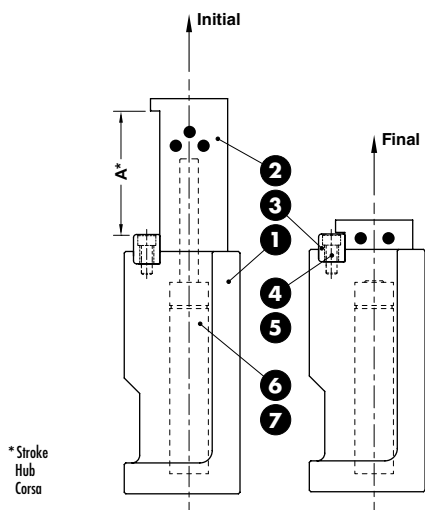
### Notes

- 1** Material: EN-GJL300
- 2** Material: Bronze + Graphite - HB>190
- 3** Material: 36NiCrMo4
- 4** M8x30 DIN 912
- 5** Schnorr Ø8
- 6** Gas Spring
- 7** M6x12 DIN 7991

STOCK



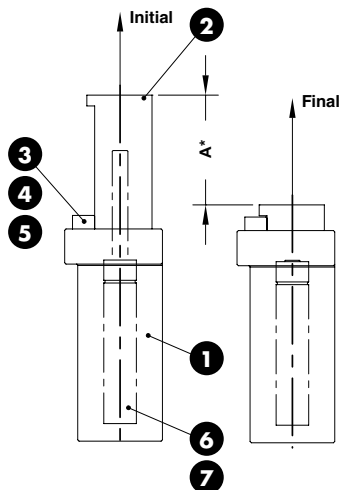
Standard JLR



ORDER EXAMPLE	<b>JLR CODE</b>
	TDSA06-B 80 050

JLR CODE	A	Initial (daN)	Final (daN)
TDSA06-B 50 050	50	50	86
TDSA06-B 50 100	50	100	172
TDSA06-B 50 150	50	150	258
TDSA06-B 50 200	50	200	344
TDSA06-B 80 050	80	50	86
TDSA06-B 80 100	80	100	172
TDSA06-B 80 150	80	150	258
TDSA06-B 80 200	80	200	344

## FLANGE LIFTER - ABSTREIFER - SFLANGIATORE



\* Stroke  
Hub  
Corsa

### Notes

- 1 **Material:** EN-GJL300
- 2 **Material:** Bronze + Graphite - HB>190
- 3 **Material:** 36NiCrMo4
- 4 M8x30 DIN 912
- 5 Schnorr Ø8
- 6 Gas Spring
- 7 M6x12 DIN 7991

STOCK



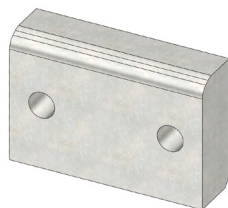
JLR CODE

TDSA06-C 50 150

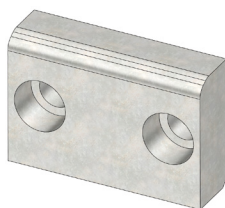
JLR CODE	A	Initial (daN)	Final (daN)
TDSA06-C 50 050	50	50	86
TDSA06-C 50 100	50	100	172
TDSA06-C 50 150	50	150	258
TDSA06-C 50 200	50	200	344
TDSA06-C 80 050	80	50	86
TDSA06-C 80 100	80	100	172
TDSA06-C 80 150	80	150	258
TDSA06-C 80 200	80	200	344

# TDSA07-A

## POSITIVE RETURN WEAR PLATE - PLATTE - PIASTRA DI REAZIONE



TDSA07-A1



TDSA07-A2

### Notes

**Material:** C15 - HRC: 58÷60

STOCK



JLR CODE

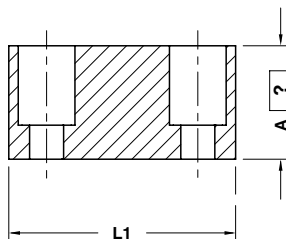
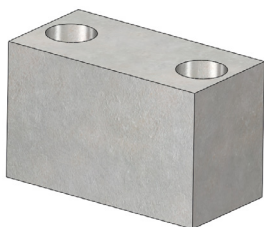
TDSA07-A2

JLR CODE

TDSA07-A1

TDSA07-A2

## BALANCE BLOCK - DISTANZSTÜCK - DISTANZIALE



### Notes

**Material:** S235

10

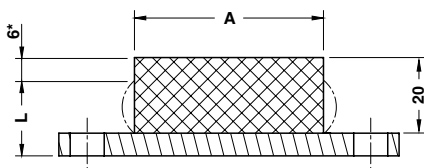
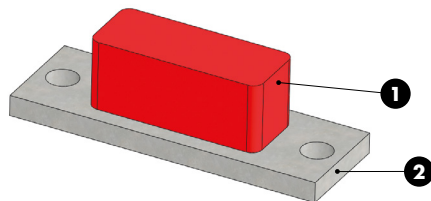
ORDER EXAMPLE 	JLR CODE	A=50
	TDSA07-C1	A050

JLR CODE	L1
TDSA07-C1	100
TDSA07-C2	150

Standard JLR

# TDSA07-D

## CAM BUFFER - ANSCHLAG - ARRESTO



### Notes

- Material:** Polyurethane 90 SH
- Material:** St37

STOCK

\*Max. deflection  
Max. zul. Federweg  
Deflessione massima

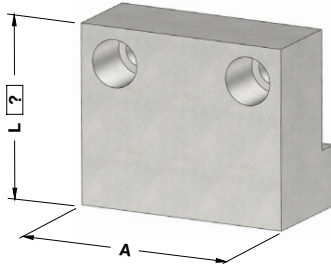
\*\*Gegenkraft bei 6mm max. zul. Federweg  
Max. reaction force with 6 mm deflection  
Forza di reazione massima per deflessione di 6mm

\*\*\*Maximal absorbierte Energie bei 6 mm max. zul. Federweg  
Massima energia assorbita con deflessione di 6 mm

ORDER EXAMPLE 	JLR CODE
	TDSA07-D2

JLR CODE	A	Force for length "L" (kN)**	Max energy absorbtion with 6 mm deflection (J)***
TDSA07-D1	50	10	30
TDSA07-D2	100	20	60

## BUFFER SUPPORT - DÄMPFERHALTERUNG - SUPPORTO AMMORTIZZATORE



### Notes

**Material:** CK45



\*Eingesetzt mit Nockendämpfer  
Usato con cam buffer

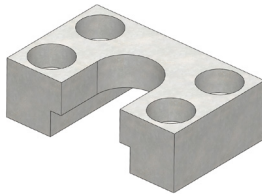


<b>JLR CODE</b>	<b>L=70</b>
TDSA07-E1	L070

JLR CODE	A	Used with cam buffer*
TDSA07-E1	90	TDSA07-D1
TDSA07-E2	140	TDSA07-D2

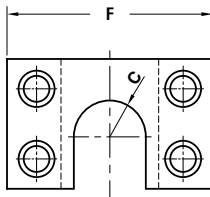
# TDSA07-F

## COUPLING PLATE - BEFESTIGUNGSPLATTE - STAFFA DI REAZIONE



### Notes

**Material:** CK45



<b>JLR CODE</b>
TDSA07-F2

JLR CODE	F	C
TDSA07-F1	80	14
TDSA07-F2	100	20
TDSA07-F3	120	25
TDSA07-F4	150	33

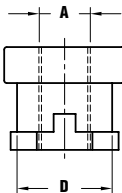
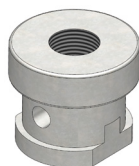


## COUPLING NUT - KUPPLUNGSMUTTER - AGGANCIO STAFFA

### Notes

**Material:** CK45

STOCK



JLR CODE  
TDSA07-G3

JLR CODE	A	D
TDSA07-G1	M10x1.25	25
TDSA07-G2	M12x1.25	25
TDSA07-G3	M16x1.5	37
TDSA07-G4	M20x1.5	37
TDSA07-G5	M27x2	37
TDSA07-G6	M36x2	47
TDSA07-G7	M42x2	59

Standard JLR

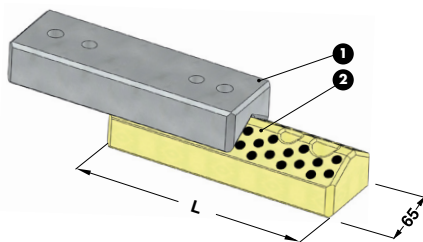
# TDSA07-H

## "V" DRIVER VDI 3357 - PRISMENFÜHRUNG VDI 3357 - GUIDA A "V" VDI 3357

### Notes

- Material:** CK45  
**HRC:** 58÷60
- Material:** Bronze + Graphite  
**HB** > 190

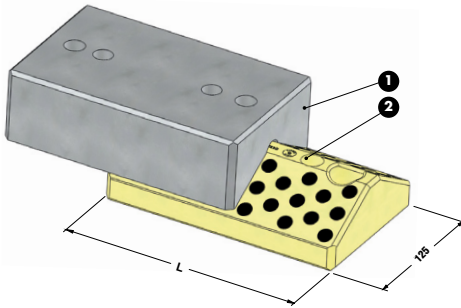
STOCK



JLR CODE  
TDSA07-H1

JLR CODE	L
TDSA07-H1	150
TDSA07-H2	200

## "V" DRIVER VDI 3357 - PRISMENFÜHRUNG VDI 3357 - GUIDA A "V" VDI 3357



### Notes

- 1 **Material:** CK45  
**HRC:** 58÷60
- 2 **Material:** Bronze + Graphite  
**HB** > 190



JLR CODE	TDSA07-11
----------	-----------

JLR CODE	L
TDSA07-11	150
TDSA07-12	200

# TDSA07-J

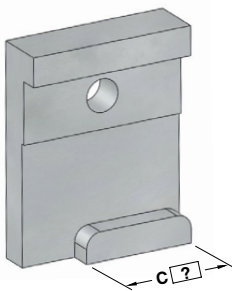
## POSITIVE RETURN - ZWANGRÜCKHOLER - GANCIO

### Notes

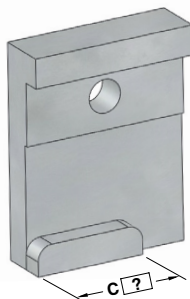
**Material:** CK45 - **HRC:** 28÷30



**TYPE R**



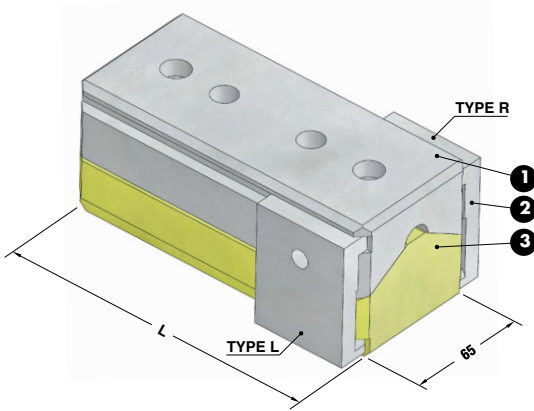
**TYPE L**



JLR CODE	TYPE	C=24
TDSA07-J	R	C24

JLR CODE
TDSA07-J

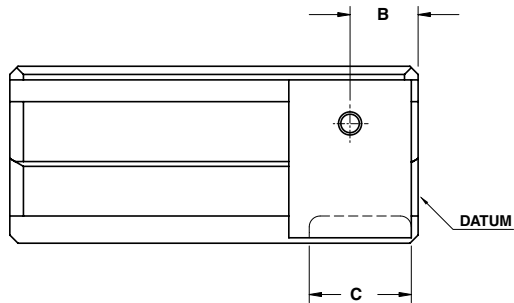
**"V" DRIVER WITH POSITIVE RETURN**  
**PRISMENFÜHRUNG MIT ZWANGSRÜCKHOLER**  
**GUIDA A "V" CON GANCIO DI RITORNO**



- Notes**
- 1 **Material:** CK45 - HRC: 58±60
  - 2 **Material:** 42CrMo4
  - 3 **Material:** Bronze + Graphite  
HB > 190



Standard JLR



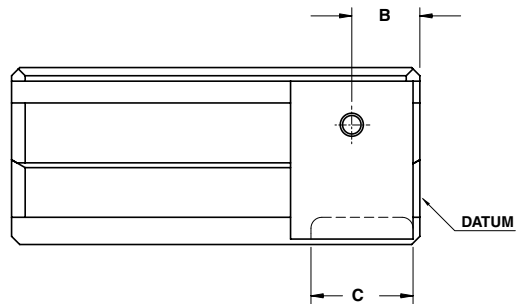
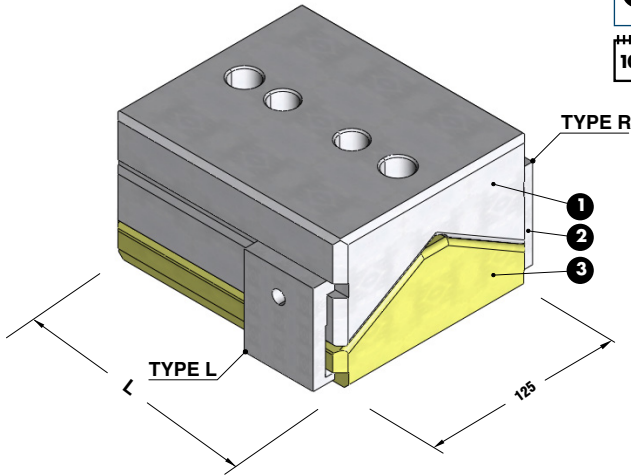
<b>JLR CODE</b>	<b>B=26</b>	<b>C=24</b>	<b>TYPE</b>
TDSA07-J1	B26	C24	R

JLR CODE	L	Clamp	TYPE
TDSA07-J1	150	RIGHT	R
TDSA07-J1	150	LEFT	L
TDSA07-J1	150	BOTH	RL
TDSA07-J2	200	RIGHT	R
TDSA07-J2	200	LEFT	L
TDSA07-J2	200	BOTH	RL

## "V" DRIVER WITH POSITIVE RETURN PRISMENFÜHRUNG MIT ZWANGSRÜCKHOLER GUIDA A "V" CON GANCIO DI RITORNO

### Notes

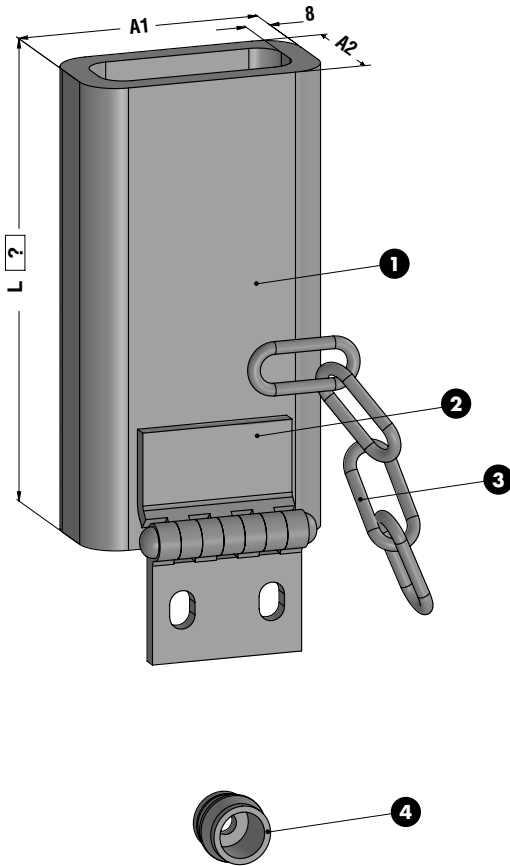
- 1 **Material:** CK45 - HRC: 58÷60
- 2 **Material:** 42CrMo4
- 3 **Material:** Bronze + Graphite  
**HB** > 190



JLR CODE	B=26	C=24	TYPE
TDSA07-K1	B26	C24	R

JLR CODE	L	Clamp	TYPE
TDSA07-K1	150	RIGHT	R
TDSA07-K1	150	LEFT	L
TDSA07-K1	150	BOTH	RL
TDSA07-K2	200	RIGHT	R
TDSA07-K2	200	LEFT	L
TDSA07-K2	200	BOTH	RL

"SPACING BAR - ABSTELLBOLZEN - DISTANZIALE



L max. = 400

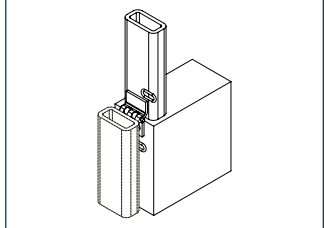
Respect the max. load  
 Maximale Nutzlast beachten  
 Rispettare il carico max.

Notes

- 1 2 3 **Material:** Steel
- 4 **Material:** CO-Polyester Elastomer



Application example

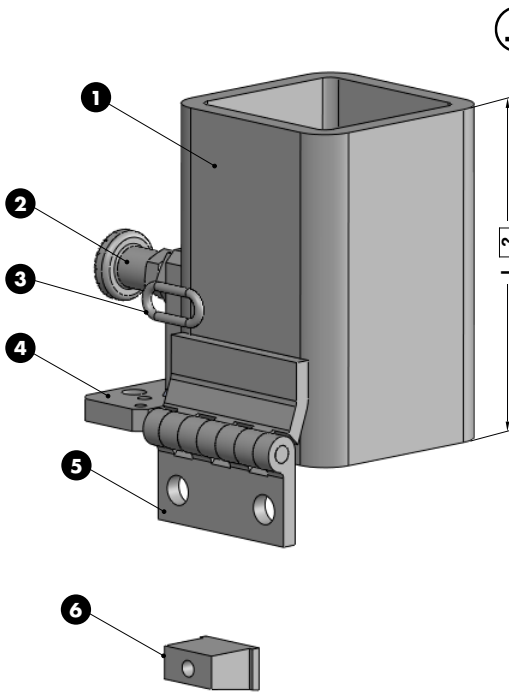


Standard JLR

ORDER EXAMPLE	JLR CODE	L=150
	TDSA12-A	L150

JLR CODE	A1	A2
TDSA12-A	80	40

"SPACING BAR - ABSTELLBOLZEN - DISTANZIALE

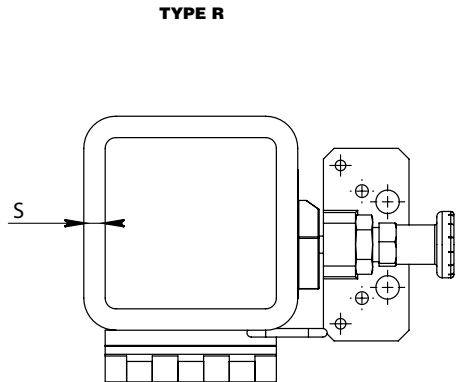
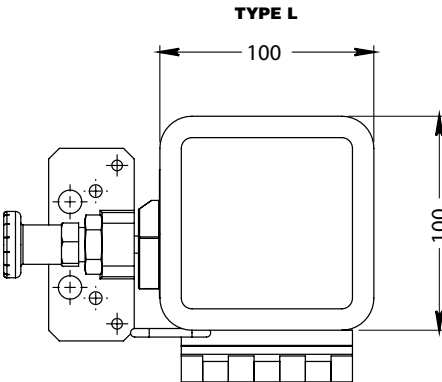
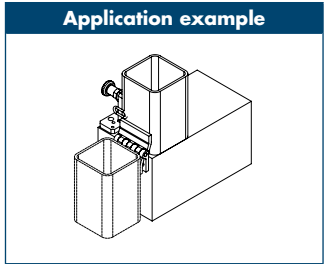


... STOCK

L max. = 400  
 Respect the max. load  
 Maximale Nutzlast beachten  
 Rispettare il carico max.

**Notes**

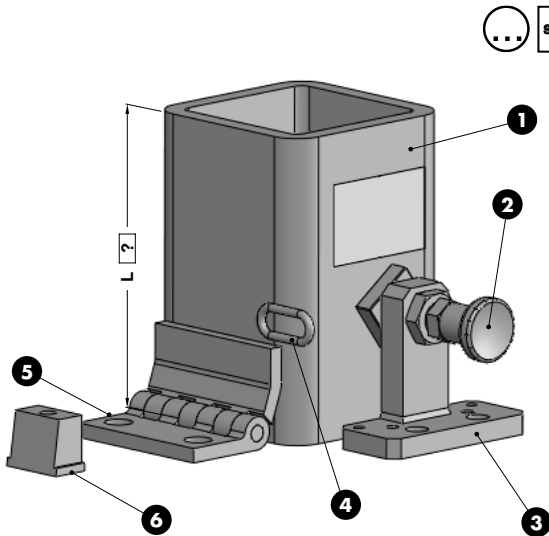
**1 2 3** Material: Steel  
**4 5**  
**6** Material: Elastomer



	JLR CODE	L=150
	TDSA12-B3-L	150

JLR CODE	S	TYPE
TDSA12-B1-L	10	L
TDSA12-B1-R	10	R
TDSA12-B3-L	5	L
TDSA12-B3-R	5	R

"SPACING BAR - ABSTELLBOLZEN - DISTANZIALE



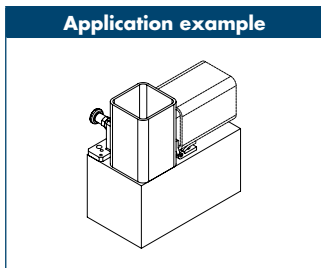
**STOCK**

L max. = 400

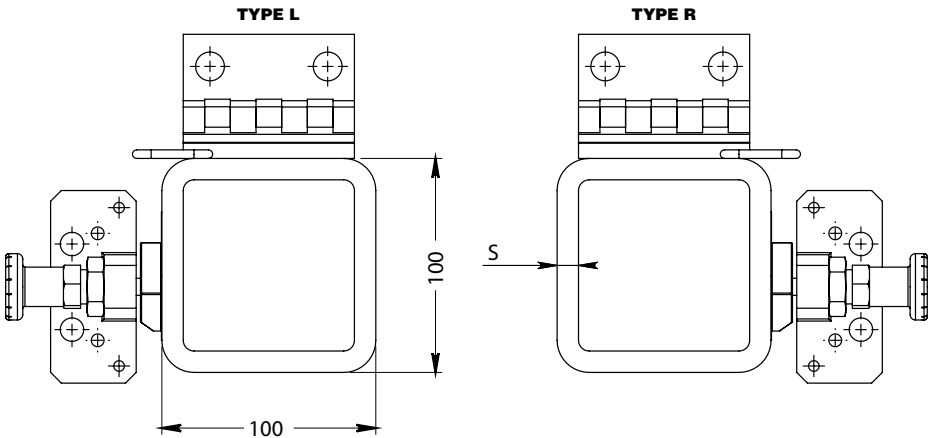
Respect the max. load  
 Maximale Nutzlast beachten  
 Rispettare il carico max.

**Notes**

**1 2 3** Material: Steel  
**4 5**  
**6** Material: Elastomer



Standard JLR



<b>ORDER EXAMPLE</b> 	<b>JLR CODE</b>	<b>L=150</b>
	TDSA12-B2-R	150

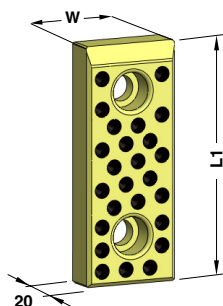
JLR CODE	S	TYPE
TDSA12-B2-L	10	L
TDSA12-B2-R	10	R
TDSA12-B4-L	5	L
TDSA12-B4-R	5	R

## WEAR PLATE VDI 3357 - GLEITPLATTE VDI 3357 - PIASTRA GUIDA VDI 3357

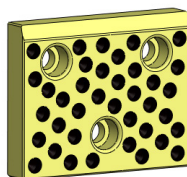
### Notes

**Material:** Bronze + Graphite  
**HB** > 190

STOCK



**FORM A**



**FORM B**



**FORM C**



JLR CODE

TDSA13-A 100 100-Y

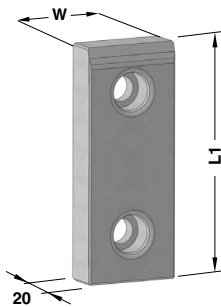
JLR CODE	W	L	FORM	JLR CODE	W	L	FORM
TDSA13-A 50 100-Y	50	100	A	TDSA13-A 125 160-Y	125	160	B
TDSA13-A 50 160-Y	50	160	A	TDSA13-A 125 200-Y	125	200	B
TDSA13-A 50 200-Y	50	200	A	TDSA13-A 125 250-Y	125	250	B
TDSA13-A 80 100-Y	80	100	A	TDSA13-A 125 315-Y	125	315	B
TDSA13-A 80 160-Y	80	160	A	TDSA13-A 160 100-Y	160	100	B
TDSA13-A 80 200-Y	80	200	A	TDSA13-A 160 160-Y	160	160	B
TDSA13-A 80 250-Y	80	250	A	TDSA13-A 160 200-Y	160	200	B
TDSA13-A 80 315-Y	80	315	A	TDSA13-A 160 250-Y	160	250	C
TDSA13-A 100 50-Y	100	50	A	TDSA13-A 160 315-Y	160	315	C
TDSA13-A 100 100-Y	100	100	A				
TDSA13-A 100 160-Y	100	160	A				
TDSA13-A 100 200-Y	100	200	A				
TDSA13-A 100 250-Y	100	250	A				
TDSA13-A 100 315-Y	100	315	A				
TDSA13-A 125 100-Y	125	100	B				



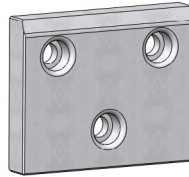
**Notes**

**Material:** 16MnCr5  
**HRC:** 58÷60

**STOCK**



**FORM A**



**FORM B**



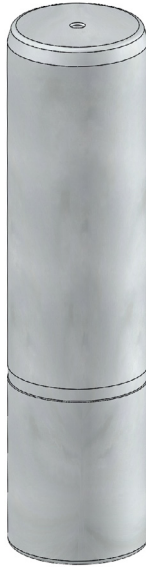
**FORM C**

Standard JLR

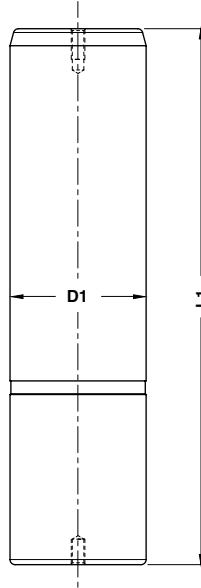
	<b>JLR CODE</b>
	TDSA13-A 125 200-X

JLR CODE	W	L	FORM	JLR CODE	W	L	FORM
TDSA13-A 50 100-Y	50	100	A	TDSA13-A 125 160-X	125	160	B
TDSA13-A 50 160-Y	50	160	A	TDSA13-A 125 200-X	125	200	B
TDSA13-A 50 200-Y	50	200	A	TDSA13-A 125 250-X	125	250	B
TDSA13-A 80 100-Y	80	100	A	TDSA13-A 125 315-X	125	315	B
TDSA13-A 80 160-Y	80	160	A	TDSA13-A 160 100-X	160	100	B
TDSA13-A 80 200-Y	80	200	A	TDSA13-A 160 160-X	160	160	B
TDSA13-A 80 250-Y	80	250	A	TDSA13-A 160 200-X	160	200	B
TDSA13-A 80 315-Y	80	315	A	TDSA13-A 160 250-X	160	250	C
TDSA13-A 100 50-Y	100	50	A	TDSA13-A 160 315-X	160	315	C
TDSA13-A 100 100-Y	100	100	A				
TDSA13-A 100 160-Y	100	160	A				
TDSA13-A 100 200-Y	100	200	A				
TDSA13-A 100 250-Y	100	250	A				
TDSA13-A 100 315-Y	100	315	A				
TDSA13-A 125 100-Y	125	100	B				

## GUIDE POST NAAMS - FÜHRUNGSSÄULE NAAMS - COLONNA GUIDA NAAMS



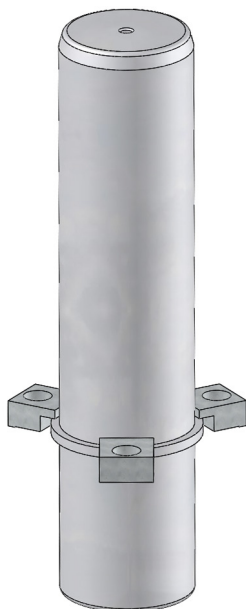
**Notes**  
**Material:** 16MnCr5  
**HRC:** 60÷62



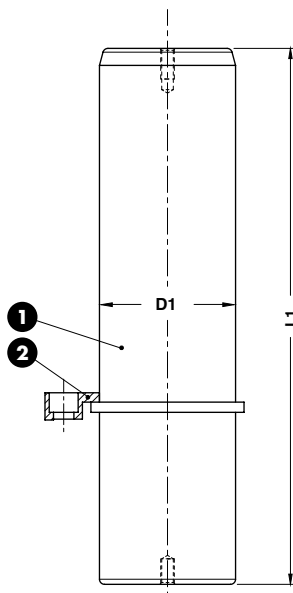
	<b>JLR CODE</b>
	TDSA13-B 80 355

JLR CODE	D1	L1	JLR CODE	D1	L1
TDSA13-B 25 140	25	140	TDSA13-B 50 315	50	315
TDSA13-B 25 160	25	160	TDSA13-B 63 200	63	200
TDSA13-B 25 180	25	180	TDSA13-B 63 224	63	224
TDSA13-B 32 140	32	140	TDSA13-B 63 250	63	250
TDSA13-B 32 160	32	160	TDSA13-B 63 280	63	280
TDSA13-B 32 180	32	180	TDSA13-B 63 315	63	315
TDSA13-B 32 200	32	200	TDSA13-B 63 355	63	355
TDSA13-B 40 160	40	160	TDSA13-B 63 400	63	400
TDSA13-B 40 180	40	180	TDSA13-B 80 250	80	250
TDSA13-B 40 200	40	200	TDSA13-B 80 280	80	280
TDSA13-B 40 224	40	224	TDSA13-B 80 315	80	315
TDSA13-B 40 250	40	250	TDSA13-B 80 355	80	355
TDSA13-B 50 160	50	160	TDSA13-B 80 400	80	400
TDSA13-B 50 180	50	180	TDSA13-B 80 500	80	500
TDSA13-B 50 200	50	200	TDSA13-B 100 315	100	315
TDSA13-B 50 224	50	224	TDSA13-B 100 355	100	355
TDSA13-B 50 250	50	250	TDSA13-B 100 400	100	400
TDSA13-B 50 280	50	280	TDSA13-B 100 500	100	500

## GUIDE POST NAAMS - FÜHRUNGSSÄULE NAAMS - COLONNA GUIDA NAAMS



Notes	
1	<b>Material:</b> 16MnCr5 <b>HRC:</b> 60÷62
2	<b>Material:</b> CK45 E47.11.323216



ORDER EXAMPLE	JLR CODE
	TDSA13-C 50 160-A

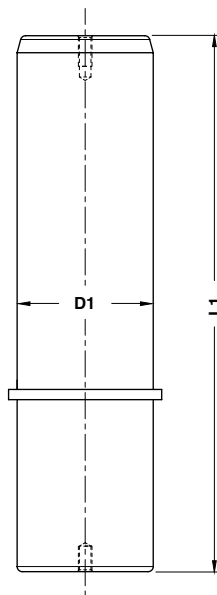
JLR CODE	D1	L1	Toe clamp qty.	JLR CODE	D1	L1	Toe clamp qty.
TDSA13-C 25 140-A	25	140	2	TDSA13-C 50 315-A	50	315	2
TDSA13-C 25 160-A	25	160	2	TDSA13-C 63 200-A	63	200	3
TDSA13-C 25 180-A	25	180	2	TDSA13-C 63 224-A	63	224	3
TDSA13-C 32 140-A	32	140	2	TDSA13-C 63 250-A	63	250	3
TDSA13-C 32 160-A	32	160	2	TDSA13-C 63 280-A	63	280	3
TDSA13-C 32 180-A	32	180	2	TDSA13-C 63 315-A	63	315	3
TDSA13-C 32 200-A	32	200	2	TDSA13-C 63 355-A	63	355	3
TDSA13-C 40 160-A	40	160	2	TDSA13-C 63 400-A	63	400	3
TDSA13-C 40 180-A	40	180	2	TDSA13-C 80 250-A	80	250	3
TDSA13-C 40 200-A	40	200	2	TDSA13-C 80 280-A	80	280	3
TDSA13-C 40 224-A	40	224	2	TDSA13-C 80 315-A	80	315	3
TDSA13-C 40 250-A	40	250	2	TDSA13-C 80 355-A	80	355	3
TDSA13-C 50 160-A	50	160	2	TDSA13-C 80 400-A	80	400	3
TDSA13-C 50 180-A	50	180	2	TDSA13-C 80 500-A	80	500	3
TDSA13-C 50 200-A	50	200	2	TDSA13-C 100 315-A	100	315	3
TDSA13-C 50 224-A	50	224	2	TDSA13-C 100 355-A	100	355	3
TDSA13-C 50 250-A	50	250	2	TDSA13-C 100 400-A	100	400	3
TDSA13-C 50 280-A	50	280	2	TDSA13-C 100 500-A	100	500	3

Standard JLR

## GUIDE POST NAAMS - FÜHRUNGSSÄULE NAAMS - COLONNA GUIDA NAAMS



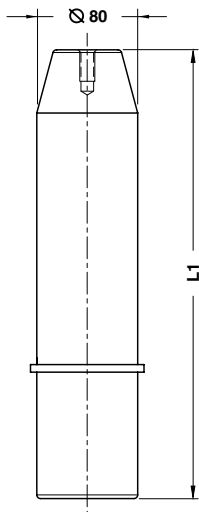
**Notes**  
**Material:** 16MnCr5  
**HRC:** 60÷62



**JLR CODE**  
**TDSA13-C 80 355**

JLR CODE	D1	L1	JLR CODE	D1	L1
TDSA13-C 25 140	25	140	TDSA13-C 50 315	50	315
TDSA13-C 25 160	25	160	TDSA13-C 63 200	63	200
TDSA13-C 25 180	25	180	TDSA13-C 63 224	63	224
TDSA13-C 32 140	32	140	TDSA13-C 63 250	63	250
TDSA13-C 32 160	32	160	TDSA13-C 63 280	63	280
TDSA13-C 32 180	32	180	TDSA13-C 63 315	63	315
TDSA13-C 32 200	32	200	TDSA13-C 63 355	63	355
TDSA13-C 40 160	40	160	TDSA13-C 63 400	63	400
TDSA13-C 40 180	40	180	TDSA13-C 80 250	80	250
TDSA13-C 40 200	40	200	TDSA13-C 80 280	80	280
TDSA13-C 40 224	40	224	TDSA13-C 80 315	80	315
TDSA13-C 40 250	40	250	TDSA13-C 80 355	80	355
TDSA13-C 50 160	50	160	TDSA13-C 80 400	80	400
TDSA13-C 50 180	50	180	TDSA13-C 80 500	80	500
TDSA13-C 50 200	50	200	TDSA13-C 100 315	100	315
TDSA13-C 50 224	50	224	TDSA13-C 100 355	100	355
TDSA13-C 50 250	50	250	TDSA13-C 100 400	100	400
TDSA13-C 50 280	50	280	TDSA13-C 100 500	100	500

## GUIDE POST - FÜHRUNGSSÄULE - COLONNA GUIDA



### Notes

**Material:** 16MnCr5  
**HRC:** 58÷60



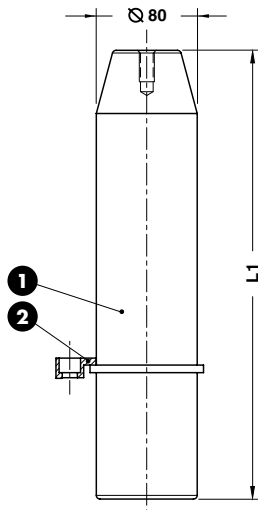
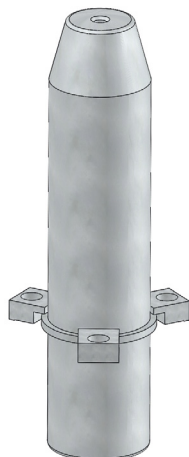
### JLR CODE

TDSA13-D355

JLR CODE	L1
TDSA13-D315	315
TDSA13-D355	355
TDSA13-D400	400

Standard JLR

## GUIDE POST - FÜHRUNGSSÄULE - COLONNA GUIDA



### Notes

**1** **Material:** 16MnCr5  
**HRC:** 58÷60

**2** **Material:** CK45  
E47.11.323216

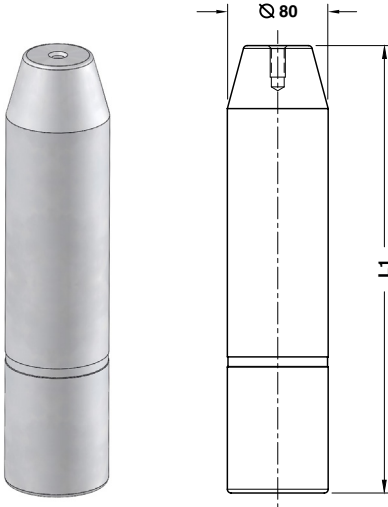


### JLR CODE

TDSA13-D355-A

JLR CODE	L1	Toe clamp qty.
TDSA13-D315-A	315	3
TDSA13-D355-A	355	3
TDSA13-D400-A	400	3

## GUIDE POST - FÜHRUNGSSÄULE - COLONNA GUIDA



### Notes

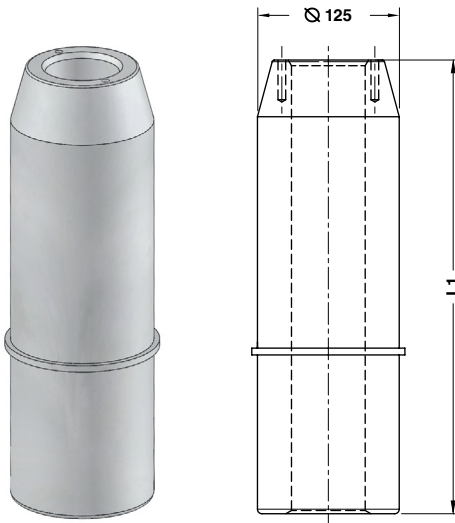
**Material:** 16MnCr5  
**HRC:** 58÷60



	JLR CODE	
	TDSA13-E315	
	JLR CODE	L1
	TDSA13-E315	315
	TDSA13-E355	355
	TDSA13-E400	400

# TDSA13-F

## GUIDE POST - FÜHRUNGSSÄULE - COLONNA GUIDA



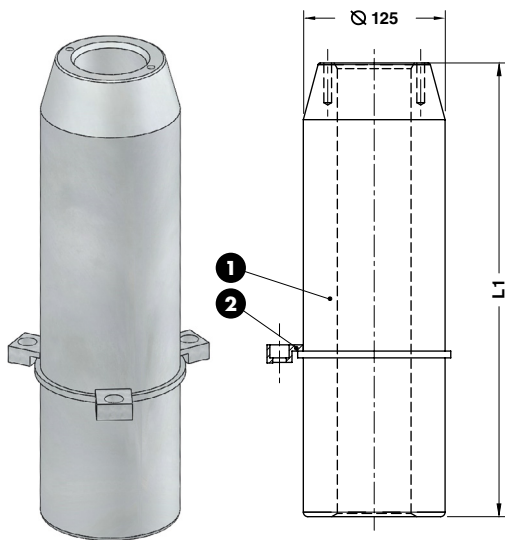
### Notes

**Material:** 16MnCr5  
**HRC:** 60÷62



	JLR CODE	
	TDSA13-F450	
	JLR CODE	L1
	TDSA13-F400	400
	TDSA13-F450	450
	TDSA13-F500	500

## GUIDE POST - FÜHRUNGSSÄULE - COLONNA GUIDA



### Notes

- 1 **Material:** 16MnCr5  
**HRC:** 60÷62
- 2 **Material:** CK45  
E47.11.323216

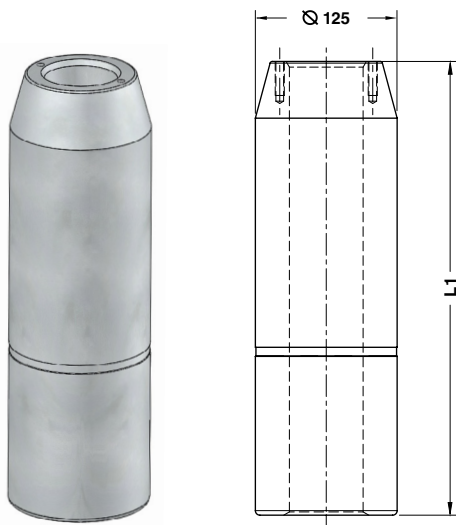


	JLR CODE	
	TDSA13-F450-A	
JLR CODE	L1	Toe clamp qty.
TDSA13-F400-A	400	3
TDSA13-F450-A	450	3
TDSA13-F500-A	500	3

Standard JLR

# TDSA13-G

## GUIDE POST - FÜHRUNGSSÄULE - COLONNA GUIDA



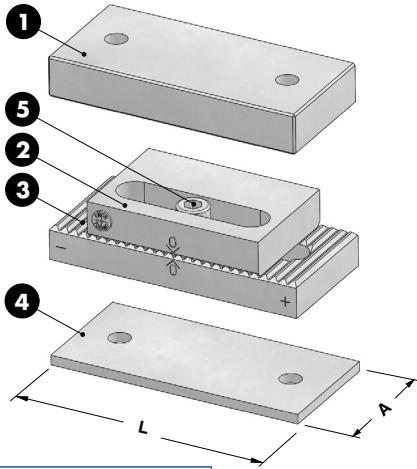
### Notes

- Material:** 16MnCr5
- HRC:** 60÷62



	JLR CODE	
	TDSA13-G450	
JLR CODE	L1	
TDSA13-G400	400	
TDSA13-G450	450	
TDSA13-G500	500	

## SPACER PLATE TOOTHED - DISTANZPLATTE GEZAHNT - TASSELLO DI COMPENSAZIONE



### Notes

① ② ③

**Material:** 90MnCrV8 - HRC: 58+60

④ **Material:** Si52

⑤ DIN 912

STOCK



JLR CODE

TDSA13-H

JLR CODE	L	A
TDSA13-H	130	60

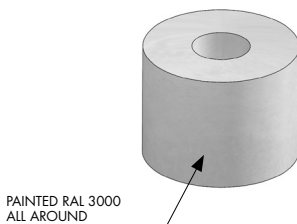
# TDSA13-I

## STOP BLOCK - ABSTANDSBLOCK - DISTANZIALE

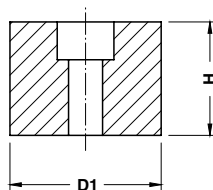
### Notes

**Material:** CK45

STOCK



PAINTED RAL 3000  
ALL AROUND



JLR CODE

TDSA13-I060

JLR CODE	D1	H
TDSA13-I040	40	30
TDSA13-I060	60	50
TDSA13-I100	100	50

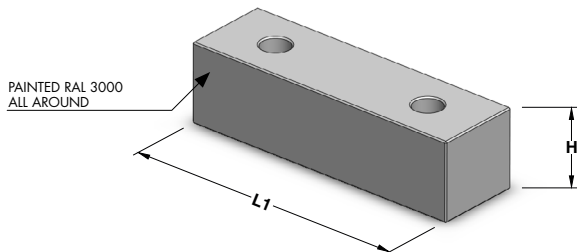


## STOP BLOCK - ANSCHLAG - BLOCCHETTO DI ARRESTO

### Notes

**Material:** CK45

**STOCK**



	JLR CODE	
	TDSA13-J1	
JLR CODE	L1	H
TDSA13-J1	200	55

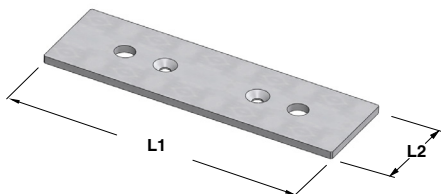
Standard JLR

## SHIM - ABSTIMMSCHEIBE - SPESSORE

### Notes

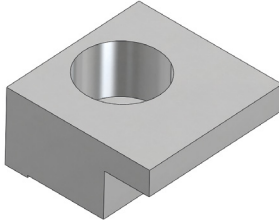
**Material:** CK45

**STOCK**



	JLR CODE	
	TDSA13-J2 v2	
JLR CODE	L1	L2
TDSA13-J2 v2	200	60

## TOE CLAMP - HALTESTÜCK - RITEGNO

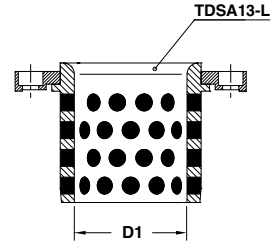


STOCK

### Notes

**Material:** CK45

### Application example



JLR CODE

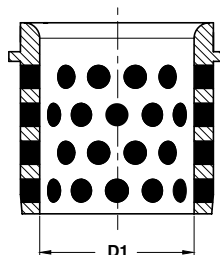
TDSA13-K

JLR CODE

TDSA13-K

# TDSA13-L

## GUIDE BUSH NAAMS - FÜHRUNGSBUCHSE NAAMS - BOCCOLA AUTOLUBRIFICANTE NAAMS



### Notes

**Material:** Bronze + Graphite  
**HB** > 190

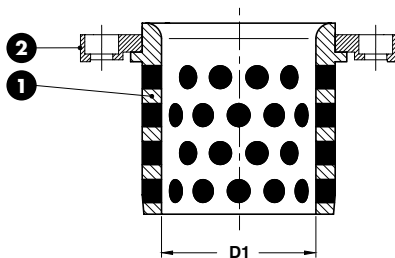
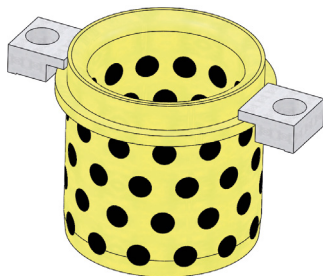
STOCK



JLR CODE

TDSA13-L40

JLR CODE	D1
TDSA13-L25	25
TDSA13-L32	32
TDSA13-L40	40
TDSA13-L50	50
TDSA13-L63	63
TDSA13-L80	80
TDSA13-L100	100
TDSA13-L125	125



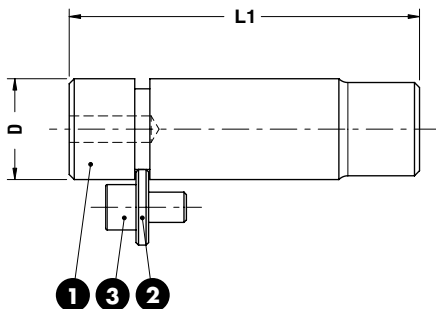
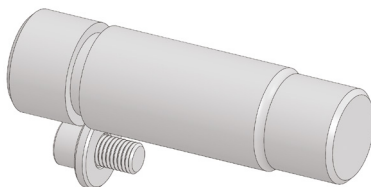
### Notes

- 1 **Material:** Bronze + Graphite  
HB > 190
- 2 **Material:** CK45 - E47.11.323216



ORDER EXAMPLE	JLR CODE	
	TDSA13-L40-A	
JLR CODE	D1	Toe clamp qty.
TDSA13-L 25-A	25	1
TDSA13-L 32-A	32	1
TDSA13-L 40-A	40	1
TDSA13-L 50-A	50	1
TDSA13-L 63-A	63	2
TDSA13-L 80-A	80	2
TDSA13-L 100-A	100	2
TDSA13-L 125-A	125	2

Standard JLR



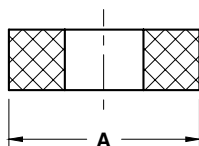
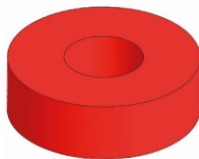
### Notes

- 1 **Material:** CK45
- 2 **Material:** S137
- 3 DIN 912 M12x20



ORDER EXAMPLE	JLR CODE	
	TDSA14-D35	
JLR CODE	D	L
TDSA14-D25	25	110
TDSA14-D35	35	130
TDSA14-D50	50	170
TDSA14-D63	63	210

## BUFFER - STOSSDÄMPFER - AMMORTIZZATORE



### Notes

**Material:** Elastomer 92 SH

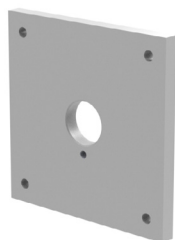
STOCK

	JLR CODE
	TDSA14-E24

JLR CODE	Size	A
TDSA14-E16	M16	50
TDSA14-E20	M20	63
TDSA14-E24	M24	80
TDSA14-E30	M30	100

# TDSA14-F

## SPECIAL RETAINER PIN PLATE SPEZIAL-HALTESTIFTPLATTE PIASTRA SPECIALE PER PERNO DI ARRESTO



### Notes

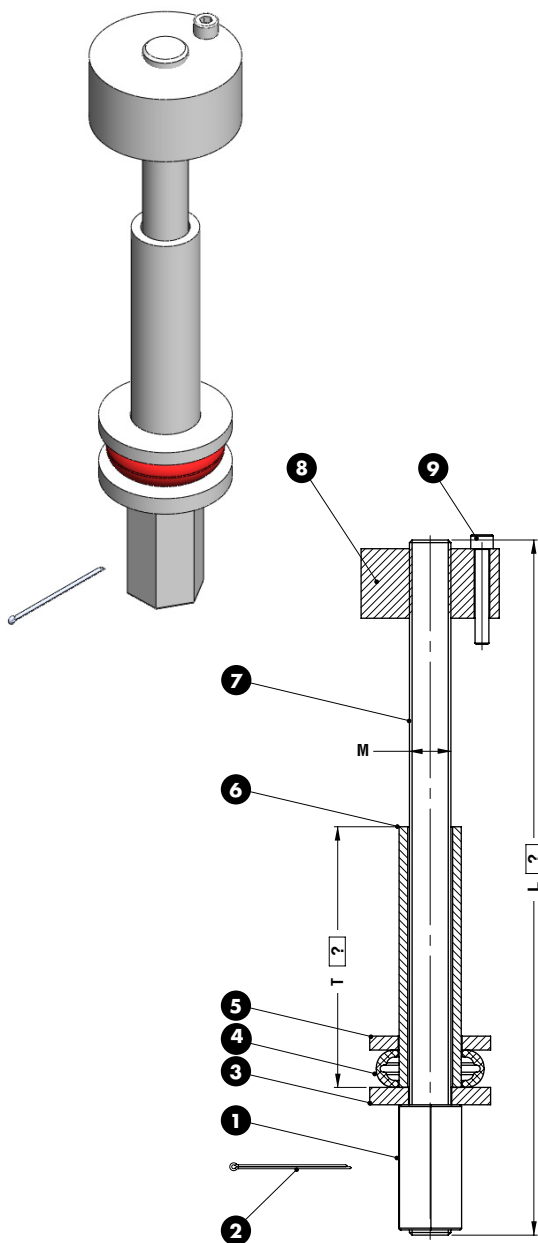
**Material:** S235JR

STOCK

	JLR CODE
	TDSA14-F

JLR CODE
TDSA14-F

RETAINER BOLT - ZUGBOLZENSATZ - GRUPPO TIRANTE



Respect the max. load  
 Maximale Nutzlast beachten  
 Rispettare il carico max.

Notes

- 1 Hexagon connecting nuts DIN 6334
- 2 Split Pin. DIN EN ISO 1234
- 3 Material: CK45 - HRC: 30-34
- 4 Material: COPolyester Elastomer
- 5 Material: 90MnCrV8 - HRC: 54-58
- 6 Tube
- 7 Material: Thread rod cl 12.9
- 8 Material: CK45
- 9 DIN 912

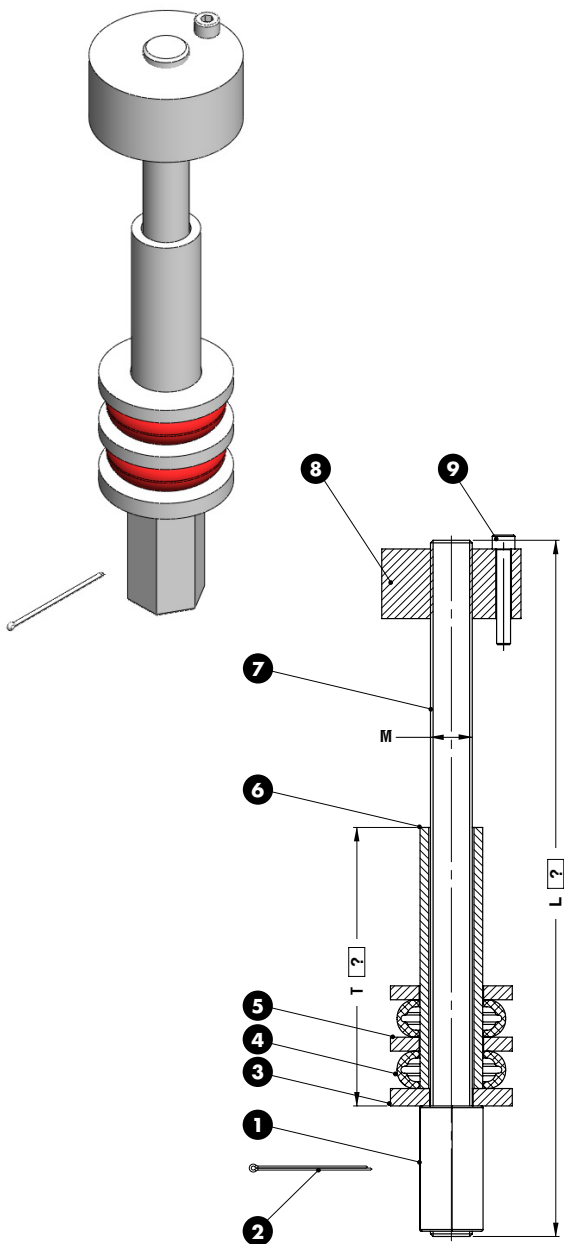


Standard JLR

ORDER EXAMPLE	JLR CODE	M=M24	T=160	L=381
	TDSA14-G1	M24	T160	L381

JLR CODE	Y max
TDSA14-G1 M16	M16
TDSA14-G1 M20	M20
TDSA14-G1 M24	M24
TDSA14-G1 M30	M30

## RETAINER BOLT - ZUGBOLZENSATZ - GRUPPO TIRANTE



Respect the max. load  
 Maximale Nutzlast beachten  
 Rispettare il carico max.

### Notes

- 1 Hexagon connecting nuts DIN 6334
- 2 Split Pin. DIN EN ISO 1234
- 3 Material: CK45 - HRC: 30÷34
- 4 Material: CO Polyester Elastomer
- 5 Material: 90MnCrV8 - HRC: 54÷58
- 6 Tube
- 7 Material: Thread rod d 12.9
- 8 Material: CK45
- 9 DIN 912



ORDER EXAMPLE	JLR CODE	M=M24	T=160	L=381
	TDSA14-G2	M24	T160	L381

JLR CODE	Y max
TDSA14-G2 M16	M16
TDSA14-G2 M20	M20
TDSA14-G2 M24	M24
TDSA14-G2 M30	M30

## ANTI-REBOUND PAD RETAINER HALTELEMENT MIT DÄMPFUNG GRUPPO TIRANTE ANTIRIMBALZO



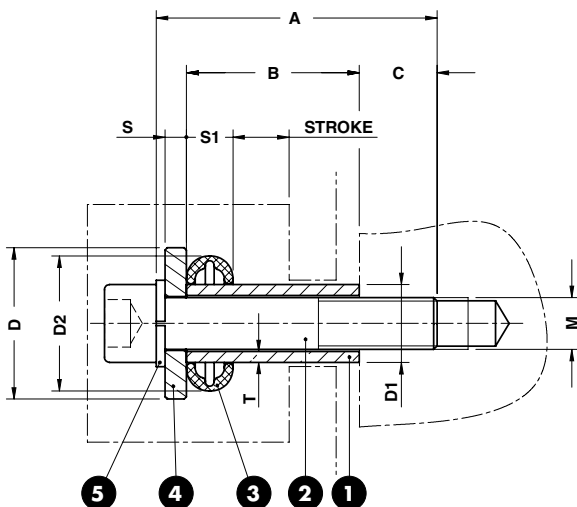
Respect the max. load  
Maximale Nutzlast beachten  
Rispettare il carico max.

### Notes

- 1** Material: Si37
- 2** DIN 912 cl. 8.8
- 3** C17.27
- 4** Material: CK45
- 5** DIN 127



Standard JLR

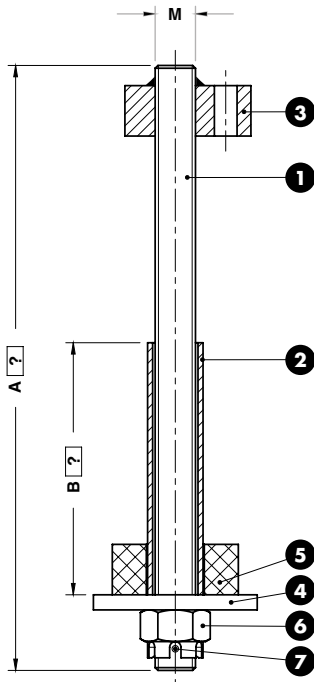


For dimensioning see pages <?>-<?>  
Dimensionierung s. Seiten <?>-<?>  
Per il dimensionamento vedi pagine <?>-<?>

ORDER EXAMPLE	JLR CODE	M=M24	B=125
	TDSA14-G3	M24	B125

JLR CODE	M	B
TDSA14-G3 M10 B040	M10	40
TDSA14-G3 M10 B050	M10	50
TDSA14-G3 M10 B063	M10	63
TDSA14-G3 M10 B100	M10	100
TDSA14-G3 M12 B050	M12	50
TDSA14-G3 M12 B063	M12	63
TDSA14-G3 M12 B080	M12	80
TDSA14-G3 M12 B100	M12	100
TDSA14-G3 M16 B063	M16	63
TDSA14-G3 M16 B080	M16	80
TDSA14-G3 M16 B100	M16	100
TDSA14-G3 M16 B125	M16	125
TDSA14-G3 M20 B080	M20	80
TDSA14-G3 M20 B125	M20	125
TDSA14-G3 M24 B080	M24	80
TDSA14-G3 M24 B100	M24	100
TDSA14-G3 M24 B125	M24	125
TDSA14-G3 M30 B080	M30	80
TDSA14-G3 M30 B100	M30	100
TDSA14-G3 M30 B125	M30	125

## RETAINER BOLT - ZUGBOLZENSATZ - GRUPPO TIRANTE



Respect the max. load  
 Maximale Nutzlast beachten  
 Rispettare il carico max.

### Notes

- 1 **Material:** Thread rod cl 8.8
- 2 Tube DIN 2391
- 3 **Material:** St37
- 4 **Material:** CK45
- 5 **Material:** Elastomer 92SH
- 6 Hexagon castle nut DIN 935
- 7 Split Pin, DIN EN ISO 1234



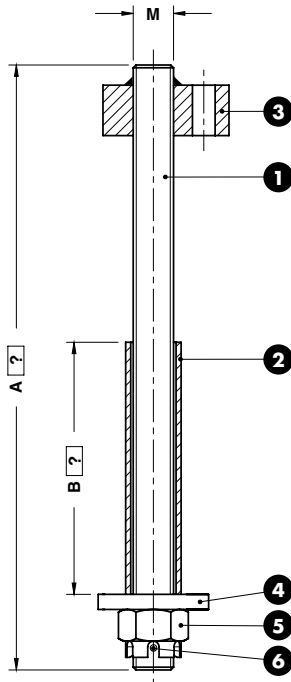
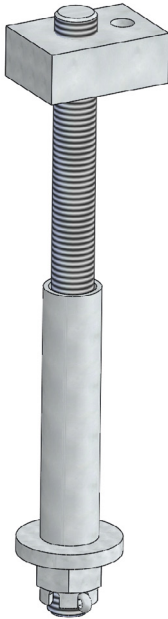
JLR CODE	M=M20	B=160	A=352
TDSA14-H	M20	B160	A352

JLR CODE	M
TDSA14-H M16	M16
TDSA14-H M20	M20
TDSA14-H M24	M24
TDSA14-H M30	M30

\*Drill hole in rod for copper pin at assembly  
 Bohrung für splint durchzuführen bei der montage  
 Foro per coppiglia da eseguire al montaggio



RETAINER BOLT - ZUGBOLZENSATZ - GRUPPO TIRANTE



Respect the max. load  
 Maximale Nutzlast beachten  
 Rispettare il carico max.

Notes

- 1 **Material:** Thread rod cl 8.8
- 2 Tube DIN 2391
- 3 **Material:** St37
- 4 **Material:** CK45
- 5 Hexagon castle nut DIN 935
- 6 Split Pin. DIN EN ISO 1234



Standard JLR

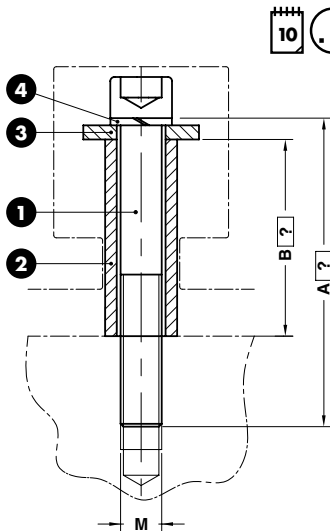


JLR CODE	M=M20	B=160	A=352
TDSA14-I	M20	B160	A352

JLR CODE	M
TDSA14-I M16	M16
TDSA14-I M20	M20

\*Drill hole in rod for copper pin at assembly  
 Bohrung für Splint durchzuführen bei der Montage  
 Foro per coppiglia da eseguire al montaggio

## RETAINER BOLT - ZUGBOLZENSATZ - GRUPPO TIRANTE



Respect the max. load  
Maximale Nutzlast beachten  
Rispettare il carico max.

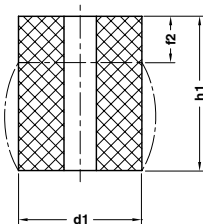
- Notes**
- 1 DIN 912
  - 2 Tube DIN 2391
  - 3 **Material:** CK45
  - 4 DIN 912 CL8.8

	JLR CODE	M=M12	B=165	A=190
	TDSA14-J	M12	B165	A190

JLR CODE	M
TDSA14-J M10	M10
TDSA14-J M12	M12
TDSA14-J M16	M16

# TDSA14-K

## ELASTOMER SPRING - ELASTOMERFEDER - MOLLA IN ELASTOMERO



**Notes**

**Material:** Elastomer 90SH

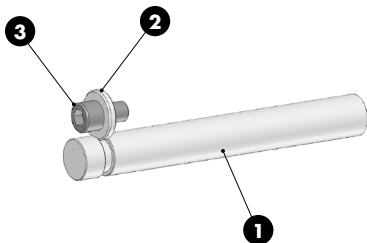
S = max. 30% H

**STOCK**

	JLR CODE
	TDSA14-K 63 40

JLR CODE	d1	f2	h1	JLR CODE	d1	f2	h1	JLR CODE	d1	f2	h1
TDSA14-K 40 32	40	2,5	32	TDSA14-K 50 80	50	6,4	80	TDSA14-K 80 32	80	2,5	32
TDSA14-K 40 40	40	3,2	40	TDSA14-K 50 100	50	8	100	TDSA14-K 80 40	80	3,2	40
TDSA14-K 40 50	40	4	50	TDSA14-K 63 32	63	2,5	32	TDSA14-K 80 50	80	4	50
TDSA14-K 40 63	40	5	63	TDSA14-K 63 40	63	3,2	40	TDSA14-K 80 63	80	5	63
TDSA14-K 40 80	40	6,4	80	TDSA14-K 63 50	63	4	50	TDSA14-K 80 80	80	6,4	80
TDSA14-K 50 32	50	2,5	32	TDSA14-K 63 63	63	5	63	TDSA14-K 80 100	80	8	100
TDSA14-K 50 40	50	3,2	40	TDSA14-K 63 80	63	6,4	80	TDSA14-K 80 125	80	10	125
TDSA14-K 50 50	50	4	50	TDSA14-K 63 100	63	8	100				
TDSA14-K 50 63	50	5	63	TDSA14-K 63 125	63	10	125				

## PAD RETAINER PIN - STECKBOLZEN - PERNO DI ARRESTO



### Notes

- 1 Material: CK45
- 2 Material: Si37
- 3 DIN 912 M12x20

STOCK



JLR CODE

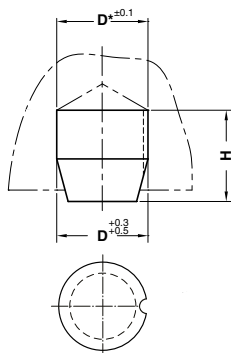
TDSA14-L

JLR CODE

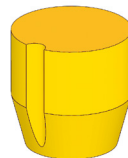
TDSA14-L

# TDSA14-M

## ELASTOMER CAP - ELASTOMERDRUCKSTÜCK - PUNTALINO IN ELASTOMERO



STOCK



### Notes

Material: Elastomer 90SH

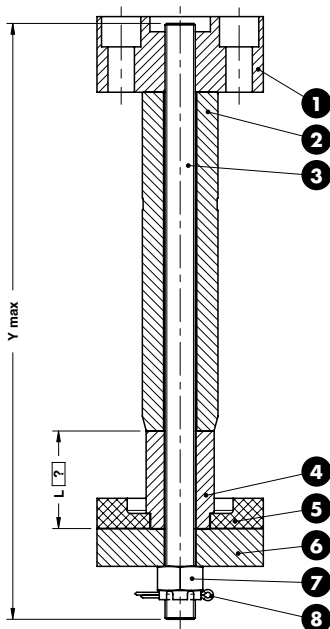


JLR CODE

TDSA14-M010

JLR CODE	D	H	F max (N)	JLR CODE	D	H	F max (N)
TDSA14-M006	6	9,5	100	TDSA14-M030	30	35	3000
TDSA14-M010	10	15,5	450	TDSA14-M032	32	32	12000
TDSA14-M016	16	25	1500	TDSA14-M039	39,5	40	25000
TDSA14-M024	24	25	3000				

## RETAINER BOLT - ZUGBOLZENSATZ - GRUPPO TIRANTE



Respect the max. load  
 Maximale Nutzlast beachten  
 Rispettare il carico max.

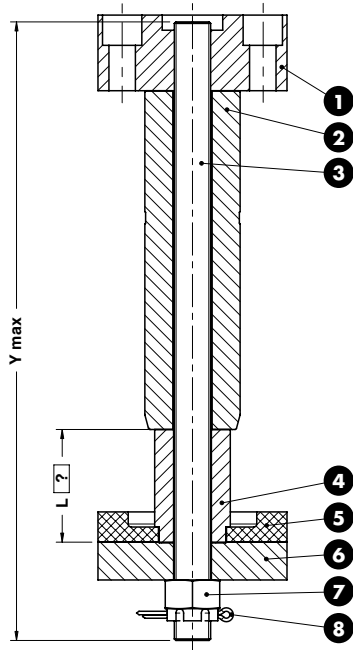
### Notes

- 1 TDSA14-NA 50
- 2 TDSA14-NB 50180/200/224/250/280
- 3 Retainer bolt DIN 975
- 4 TDSA14-NC 50
- 5 TDSA14-ND 50
- 6 TDSA14-NE 50
- 7 M20 Hexagon slotted nut DIN 935
- 8 Split Pin. DIN EN ISO 1234



ORDER EXAMPLE	JLR CODE	L=50
		TDSA14-N 50224
JLR CODE	Y max	Max load (kg)
TDSA14-N 50180	350	450
TDSA14-N 50200	370	450
TDSA14-N 50224	394	450
TDSA14-N 50250	420	450
TDSA14-N 50280	450	450

## RETAINER BOLT - ZUGBOLZENSATZ - GRUPPO TIRANTE



Respect the max. load  
 Maximale Nutzlast beachten  
 Rispettare il carico max.

### Notes

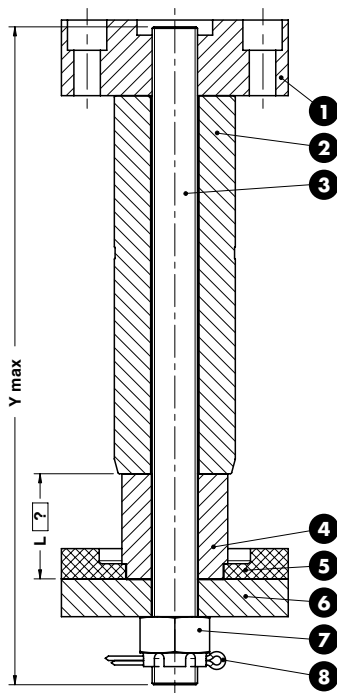
- 1 TDSA14-NA 63
- 2 TDSA14-NB 63200/224/250/280
- 3 Retainer bolt DIN 975
- 4 TDSA14-NC 63
- 5 TDSA14-ND 63
- 6 TDSA14-NE 63
- 7 M24 Hexagon slotted nut DIN 935
- 8 Split Pin. DIN EN ISO 1234



ORDER EXAMPLE	JLR CODE	L=70
	TDSA14-N 63250	L70

JLR CODE	Y max	Max load (kg)
TDSA14-N 63200	385	750
TDSA14-N 63224	409	750
TDSA14-N 63250	435	750
TDSA14-N 63280	465	750

## RETAINER BOLT - ZUGBOLZENSATZ - GRUPPO TIRANTE



Respect the max. load  
 Maximale Nutzlast beachten  
 Rispettare il carico max.

### Notes

- 1 TDSA14-NA 80
- 2 TDSA14-NB 80250/280/315/355 400
- 3 Retainer bolt DIN 975
- 4 TDSA14-NC 80
- 5 TDSA14-ND 80
- 6 TDSA14-NE 80
- 7 M30 Hexagon slotted nut DIN 935
- 8 Split Pin. DIN EN ISO 1234



ORDER EXAMPLE	JLR CODE	L=65
	TDSA14-N 80315	L65
JLR CODE	Y max	Max load (kg)
TDSA14-N 80250	435	1250
TDSA14-N 80280	465	1250
TDSA14-N 80315	500	1250
TDSA14-N 80355	540	1250
TDSA14-N 80400	585	1250

**LOCATING PIN - ZENTRIERBOLZEN - PERNO DI CENTRAGGIO****Notes****Material:** 16MnCr5 - **HRC:** 58±60**STOCK**

JLR CODE

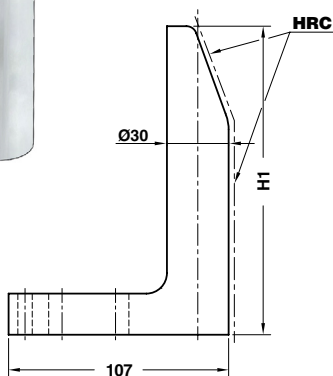
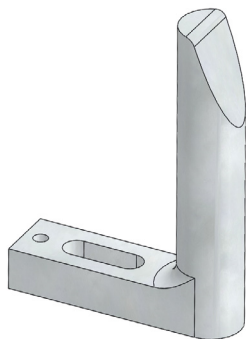
TDSA15-D

JLR CODE

TDSA15-D

Standard JLR

## GAGE HARDENED - EINWEISER GEHÄRTET - RIFERIMENTO INDURITO



### Notes

**Material:** CK60 - **HRC:** 56÷60

**STOCK**



Delivery time  
Lieferzeit in Werktagen  
Tempi di spedizione

**STOCK** = ●

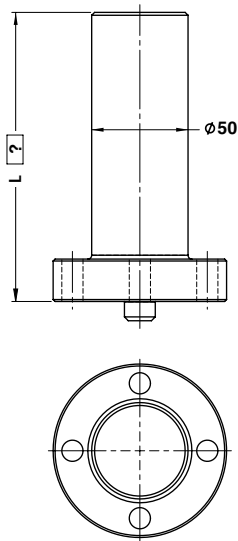
**10** = ○

	JLR CODE
	TDSA16-A L185

JLR CODE	L	Delivery Time	JLR CODE	L	Delivery Time	JLR CODE	L	Delivery Time
TDSA16-A L065	65	●	TDSA16-A L145	145	○	TDSA16-A L225	225	○
TDSA16-A L070	70	○	TDSA16-A L150	150	●	TDSA16-A L230	230	○
TDSA16-A L075	75	○	TDSA16-A L155	155	○	TDSA16-A L235	235	○
TDSA16-A L080	80	○	TDSA16-A L160	160	○	TDSA16-A L240	240	○
TDSA16-A L085	85	○	TDSA16-A L165	165	○	TDSA16-A L245	245	○
TDSA16-A L090	90	●	TDSA16-A L170	170	○	TDSA16-A L250	250	●
TDSA16-A L095	95	○	TDSA16-A L175	175	○	TDSA16-A L260	260	○
TDSA16-A L100	100	○	TDSA16-A L180	180	●	TDSA16-A L270	270	○
TDSA16-A L105	105	○	TDSA16-A L185	185	○	TDSA16-A L280	280	○
TDSA16-A L110	110	○	TDSA16-A L190	190	○	TDSA16-A L290	290	○
TDSA16-A L115	115	○	TDSA16-A L195	195	○	TDSA16-A L300	300	●
TDSA16-A L120	120	●	TDSA16-A L200	200	○	TDSA16-A L310	310	○
TDSA16-A L125	125	○	TDSA16-A L205	205	○	TDSA16-A L320	320	○
TDSA16-A L130	130	○	TDSA16-A L210	210	○	TDSA16-A L330	330	○
TDSA16-A L135	135	○	TDSA16-A L215	215	○	TDSA16-A L340	340	○
TDSA16-A L140	140	○	TDSA16-A L220	220	○	TDSA16-A L350	350	●



AIR PIN - DRUCKBOLZEN UNTER - CANDELA



$L \leq 380$  mm

**Notes**

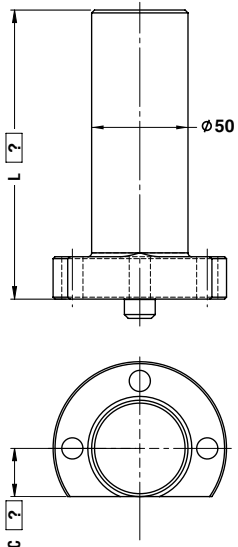
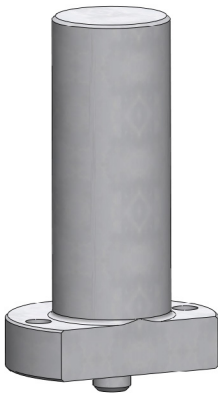
**Material:** CK45 - 800÷1000 N/mm<sup>2</sup>



	JLR CODE	L=200
	TDSA17-AA	L200
<b>JLR CODE</b>		
TDSA17-AA		

Standard JLR

AIR PIN - DRUCKBOLZEN UNTER - CANDELA



$L \leq 380$  mm  
 $C \geq 25$  mm

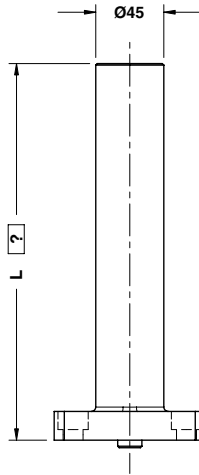
**Notes**

**Material:** CK45 - 800÷1000 N/mm<sup>2</sup>



	JLR CODE	L=200	C=23
	TDSA17-AB	L200	C23
<b>JLR CODE</b>			
TDSA17-AB			

## AIR PIN - UNTERLUFTBOLZEN - CANDELA



L max = 360 mm

### Notes

**Material:** CK45 - 800 ÷ 1000 N/mm<sup>2</sup>



JLR CODE

TDSA17-B 45

L=200

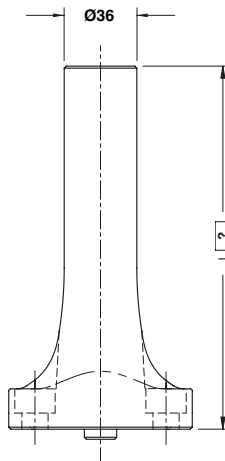
L200

JLR CODE

TDSA17-B 45

# TDSA17-C

## AIR PIN - DRUCKBOLZEN - CANDELA



150 < L ≤ 360 mm, STEP 5 mm

### Notes

**Material:** CK45 - 800 ÷ 1000 N/mm<sup>2</sup>



JLR CODE

TDSA17-C

L=200

L200

JLR CODE

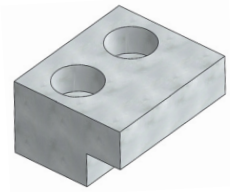
TDSA17-C

**CLAMP - HALTESTÜCK - STAFFA**

**Notes**

**Material:** Si37

**STOCK**



JLR CODE

TDSA17-G

JLR CODE

TDSA17-G

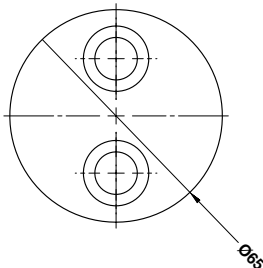
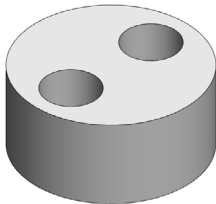
Standard JLR

**PRESSURE PLATE - DRUCKPLATTE - PIASTRA DI REAZIONE**

**Notes**

**Material:** CK45 - **HRC:** 55÷60

**STOCK**



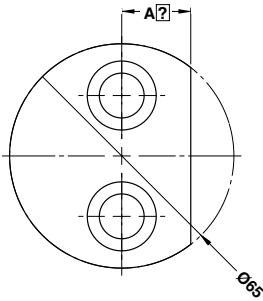
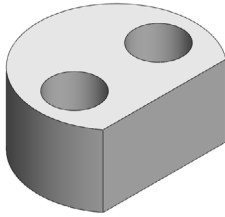
JLR CODE

TDSA17-H

JLR CODE

TDSA17-H

**PRESSURE PLATE - DRUCKPLATTE - PIASTRA DI REAZIONE**



**Notes**

**Material:** CK45 - **HRC:** 55÷60

**STOCK**



<b>JLR CODE</b>	<b>A=20</b>
TDSA17-H	A=20

**JLR CODE**

TDSA17-H

**VISUAL LOCATOR PUNCH - ENDKONTROLLSTEMPEL - PUNZONE DI VISUALIZZAZIONE**



**Notes**

**Material:** X155CrVMo121  
**HRC:** 60÷62

**STOCK**



**JLR CODE**  
**TDSA20-B**

**JLR CODE**

**TDSA20-B**

**TRADEMARK STAMP - BUCHSTABENSTEMPEL - PUNZONE MARCHIO**



**Notes**

**Material:** X155CrVMo121  
**HRC:** 60÷62

**STOCK**



**JLR CODE**  
**TDSA20-D J18**

**JLR CODE**

**TDSA20-D J18**

**TRADEMARK STAMP - BUCHSTABENSTEMPEL - PUNZONE MARCHIO**



**Notes**

**Material:** X155CrVMo121  
**HRC:** 60÷62

**STOCK**

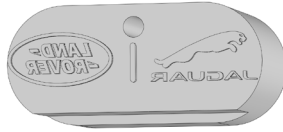


**JLR CODE**  
**TDSA20-D LR18**

**JLR CODE**

**TDSA20-D LR18**

## TRADEMARK STAMP - BUCHSTABENSTEMPEL - PUNZONE MARCHIO



### Notes

**Material:** X155CrVMo121  
**HRC:** 60÷62

**STOCK**



### JLR CODE

TDSA20-D JLR18

### JLR CODE

TDSA20-D JLR18

# TDSA20-E

## STAMP - BUCHSTABENSTEMPEL - PUNZONE DI MARCATURA



**STOCK**

### Notes

**Material:** X155CrVMo121  
**HRC:** 60÷62



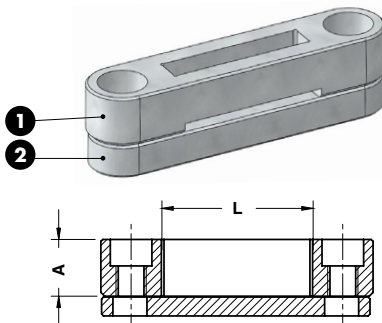
### JLR CODE

TDSA20-E D

JLR CODE	LETTER
TDSA20-E A	A
TDSA20-E B	B
TDSA20-E C	C
TDSA20-E D	D
TDSA20-E L	L
TDSA20-E R	R

# TDSA20-G

## RETAINER FOR STAMPS - HALTEPLATTE - PORTATIMBRI



**STOCK**



### Notes

- 1 TDSA20G-A10/A40
- 2 TDSA20G-B10/B40

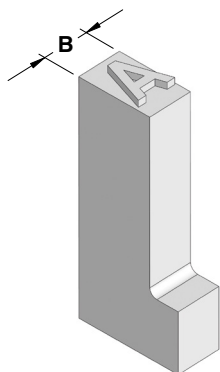


### JLR CODE

TDSA20G-20

JLR CODE	L1
TDSA20G-10	10
TDSA20G-20	20
TDSA20G-40	40

## STAMPS - BUCHSTABENSTEMPEL - PUNZONE MARCHIO



### Notes

**Material:** X155CrVMo121 - **HRC:** 60÷62

**STOCK**

Standard JLR

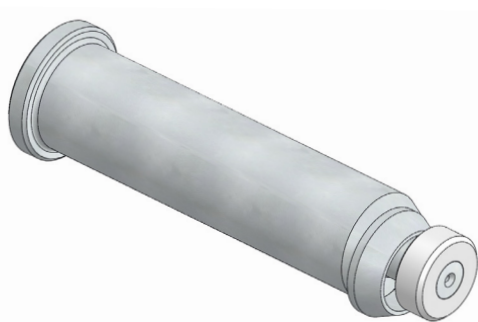


JLR CODE

TDSA20H - N

JLR CODE	B	Stamp	JLR CODE	B	Stamp	JLR CODE	B	Stamp
TDSA20H - 0	2,5	0	TDSA20H - E	3	E	TDSA20H - T	2,5	T
TDSA20H - 1	2,5	1	TDSA20H - F	2,5	F	TDSA20H - U	3	U
TDSA20H - 2	2,5	2	TDSA20H - G	3	G	TDSA20H - V	2,5	V
TDSA20H - 3	2,5	3	TDSA20H - H	3	H	TDSA20H - W	3,5	W
TDSA20H - 4	2,5	4	TDSA20H - I	2,5	I	TDSA20H - X	2,5	X
TDSA20H - 5	2,5	5	TDSA20H - J	2,5	J	TDSA20H - Y	2,5	Y
TDSA20H - 6	2,5	6	TDSA20H - K	3	K	TDSA20H - Z	2,5	Z
TDSA20H - 7	2,5	7	TDSA20H - L	2,5	L	TDSA20H - SP05	0,5	FILLER
TDSA20H - 8	2,5	8	TDSA20H - M	3,5	M	TDSA20H - SP10	1	FILLER
TDSA20H - 9	2,5	9	TDSA20H - N	3	N	TDSA20H - SP15	1,5	FILLER
TDSA20H - A	3	A	TDSA20H - P	3	P	TDSA20H - SP20	2	FILLER
TDSA20H - B	3	B	TDSA20H - Q	3	Q	TDSA20H - SP25	2,5	FILLER
TDSA20H - C	3	C	TDSA20H - R	3	R	TDSA20H - SP60	6	FILLER
TDSA20H - D	3	D	TDSA20H - S	3	S	TDSA20H - -	2,5	-

## LIFTING PIN - TRAGBOLZEN MIT FALLRINGSICHERUNG - PERNO DI SOLLEVAMENTO



Respect the max load  
 Maximale Nutzlast beachten  
 Rispettare il carico Max

**WARNING - ACHTUNG - ATTENZIONE:**

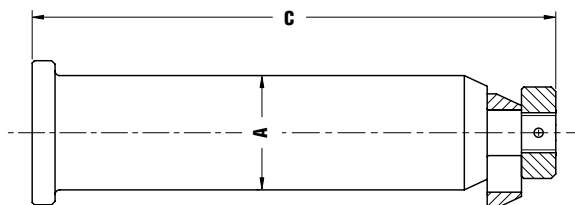
For safety reason, please consider always that the weight of the die has to be supported by just 2 lifting pins.

Aus Sicherheitsgründen stets berücksichtigen, dass zwei Tragbolzen das gesamte Werkzeuggewicht tragen müssen.

Per ragioni di sicurezza, considerare sempre che il peso dello stampo deve essere sopportato da 2 soli perni.

**Notes**

**Material:** 42CrMo4 + QT

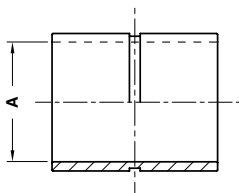
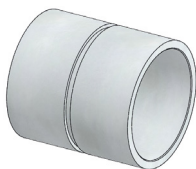


	<b>JLR CODE</b>
	TDSA21-A63

JLR CODE	Max load (kg)	Max die weight (kg)	A	C
TDSA21-A35	1500	3000	35	165
TDSA21-A50	5500	10050	50	230
TDSA21-A63	23000	45500	63	320
TDSA21-A80	30000	60000	80	270



## BUSH FOR LIFTING PIN - BUCHSE FÜR TRAGBOLZEN - BOCCOLA PER PERNO DI SOLLEVAMENTO



### Notes

**Material:** St34-2

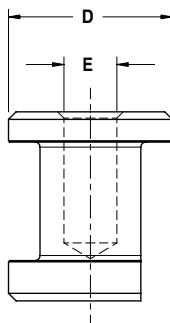
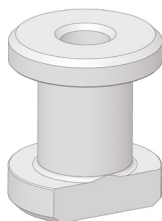
STOCK

	JLR CODE	
	TDSA21-B63	
	JLR CODE	A
	TDSA21-B50	52
	TDSA21-B63	65
	TDSA21-B80	82

Standard JLR

# TDSA21-D

## THREADED STEEL INSERT - GEWINDEEINSATZ FÜR GUSS - INSERTO FILETTATO PER FUSIONE



### Notes

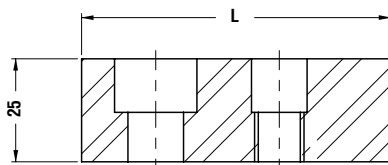
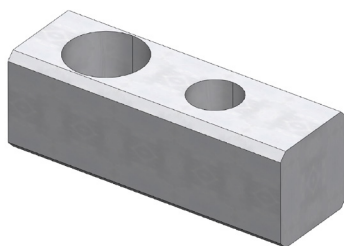
**Material:** 42CrMo4 + QT

STOCK

	JLR CODE
	TDSA21-D30

JLR CODE	Max load 1 point (kg)	Max load 2÷4 point (kg)	D	E
TDSA21-D20	2100	4200	65	M20x2.5
TDSA21-D24	3000	6000	65	M24x3.0
TDSA21-D30	5000	10000	85	M30x3.5
TDSA21-D36	6500	13000	107	M36x4.0

## STANDARD KEY - PASSFEDER - CHIAVETTA



### Notes

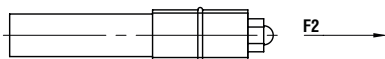
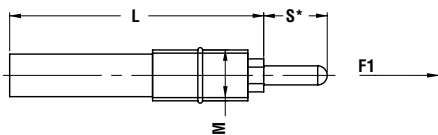
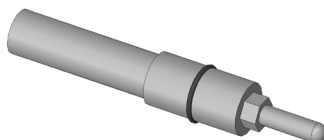
**Material:** CK45

**STOCK**

ORDER EXAMPLE 	JLR CODE	
	TDSA30-C150	
JLR CODE	L	
TDSA30-C75	75	
TDSA30-C100	100	
TDSA30-C150	150	

# TDSA35-A

## SPRING PLUNGER - FEDERNE DRUCKSTÜCKE - ESPULSORE A MOLLA



### Notes

**Material:** Steel

**STOCK**

\* Stroke  
Hub  
Corsa

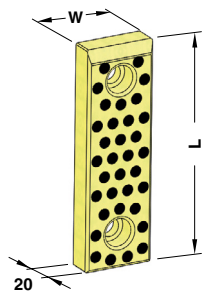
ORDER EXAMPLE 	JLR CODE	
	TDSA35-A36	

JLR CODE	M	L	S	F1 (N)	F2 (N)	JLR CODE	M	L	S	F1 (N)	F2 (N)
TDSA35-A21	M16x2	80	20	6.9	34,5	TDSA35-A31	M16x2	80	20	34,5	172,5
TDSA35-A22	M16x2	120	30	18	40	TDSA35-A32	M16x2	150	30	56,1	132,6
TDSA35-A23	M16x2	150	40	13,2	37,2	TDSA35-A33	M16x2	150	40	56,1	158,1
TDSA35-A24	M16x2	150	50	13,2	43,2	TDSA35-A34	M16x2	200	50	19,3	99,9
TDSA35-A25	M16x2	150	60	13,2	49,2	TDSA35-A35	M16x2	200	60	19,3	116,1
TDSA35-A26	M16x2	200	70	9,68	40,5	TDSA35-A36	M16x2	200	70	19,3	132,1
TDSA35-A27	M16x2	200	80	9,68	44,8	TDSA35-A37	M16x2	200	80	25	100,1

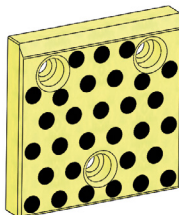
### Notes

**Material:** Bronze + Graphite  
**HB > 190**

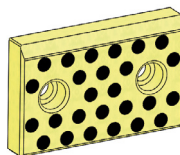
STOCK



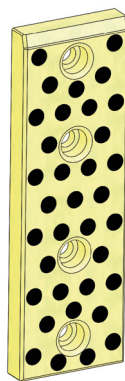
**FORM A**



**FORM B**



**FORM C**



**FORM D**



JLR CODE

TDSB13-C B 125 160

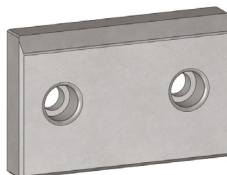
JLR CODE	W	L	FORM	JLR CODE	W	L	FORM
TDSB13-C B 050 080	50	80	A	TDSB13-C B 100 160	100	160	A
TDSB13-C B 050 100	50	100	A	TDSB13-C B 100 200	100	200	A
TDSB13-C B 050 125	50	125	A	TDSB13-C B 100 250	100	250	D
TDSB13-C B 050 160	50	160	A	TDSB13-C B 125 050	125	50	C
TDSB13-C B 050 200	50	200	A	TDSB13-C B 125 080	125	80	C
TDSB13-C B 050 250	50	250	D	TDSB13-C B 125 100	125	100	B
TDSB13-C B 080 050	80	50	C	TDSB13-C B 125 125	125	125	B
TDSB13-C B 080 080	80	80	A	TDSB13-C B 125 160	125	160	B
TDSB13-C B 080 100	80	100	A	TDSB13-C B 125 200	125	200	B
TDSB13-C B 080 125	80	125	A	TDSB13-C B 125 250	125	250	D
TDSB13-C B 080 160	80	160	A	TDSB13-C B 160 050	160	50	C
TDSB13-C B 080 200	80	200	A	TDSB13-C B 160 080	160	80	C
TDSB13-C B 080 250	80	250	D	TDSB13-C B 160 100	160	100	B
TDSB13-C B 100 050	100	50	C	TDSB13-C B 160 125	160	125	B
TDSB13-C B 100 080	100	80	C	TDSB13-C B 160 160	160	160	B
TDSB13-C B 100 100	100	100	A	TDSB13-C B 160 200	160	200	B
TDSB13-C B 100 125	100	125	A	TDSB13-C B 160 250	160	250	D

### Notes

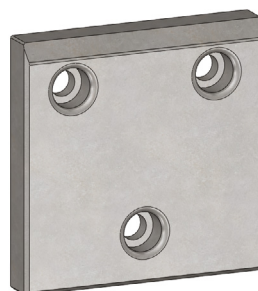
**Material:** Syntered metal



**FORM A**



**FORM B**



**FORM C**

	<b>JLR CODE</b>
	TDSB13-C S 160 080

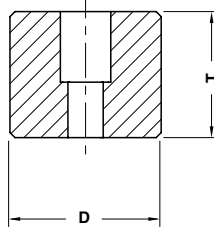
JLR CODE	W	L	FORM	JLR CODE	W	L	FORM
TDSB13-C S 050 080	50	80	A	TDSB13-C S 100 160	100	160	A
TDSB13-C S 050 100	50	100	A	TDSB13-C S 100 200	100	200	A
TDSB13-C S 050 125	50	125	A	TDSB13-C S 125 050	125	50	C
TDSB13-C S 050 160	50	160	A	TDSB13-C S 125 080	125	80	C
TDSB13-C S 050 200	50	200	A	TDSB13-C S 125 100	125	100	B
TDSB13-C S 080 050	80	50	C	TDSB13-C S 125 125	125	125	B
TDSB13-C S 080 080	80	80	A	TDSB13-C S 125 160	125	160	B
TDSB13-C S 080 100	80	100	A	TDSB13-C S 125 200	125	200	B
TDSB13-C S 080 125	80	125	A	TDSB13-C S 160 050	160	50	C
TDSB13-C S 080 160	80	160	A	TDSB13-C S 160 080	160	80	C
TDSB13-C S 080 200	80	200	A	TDSB13-C S 160 100	160	100	B
TDSB13-C S 100 050	100	50	C	TDSB13-C S 160 125	160	125	B
TDSB13-C S 100 080	100	80	C	TDSB13-C S 160 160	160	160	B
TDSB13-C S 100 100	100	100	A	TDSB13-C S 160 200	160	200	B
TDSB13-C S 100 125	100	125	A				

## STOP BLOCK - ABSTANDBLOCK - DISTANZIALE

### Notes

**Material:** CK45

10



Standard JLR



<b>JLR CODE</b>
TDSB13-E 60 30

JLR CODE	D	T	JLR CODE	D	T
TDSB13-E 40 20	40	20	TDSB13-E 65 30	65	30
TDSB13-E 40 30	40	30	TDSB13-E 65 40	65	40
TDSB13-E 50 20	50	20	TDSB13-E 65 50	65	50
TDSB13-E 50 30	50	30	TDSB13-E 70 20	70	20
TDSB13-E 50 40	50	40	TDSB13-E 70 30	70	30
TDSB13-E 50 50	50	50	TDSB13-E 70 40	70	40
TDSB13-E 60 20	60	20	TDSB13-E 70 50	70	50
TDSB13-E 60 30	60	30	TDSB13-E 90 30	90	30
TDSB13-E 60 40	60	40	TDSB13-E 90 50	90	50
TDSB13-E 60 50	60	50			

